

BT TAPER TOOL HOLDERS

END MILL HOLDERS

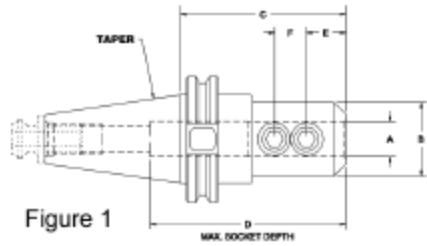


Figure 1

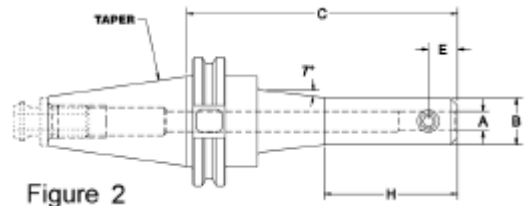


Figure 2

Balanced Toolholders Now Available!



1/8" BT-30 Endmill Holders-1/8" (.1250) Diameter

C Proj.	B Outside (Dia.)	D	Fig. No.	E	End Mill Type	Tight. Torque (ft.lbs.)	Vendor	Part Number	Price Each	Set Screw Part Number	Set Screw Size	MAX RPM Balanced Up To	Code
2.380	0.780	-	1	0.56	-	-	Collis	B30-01EM238-C	\$64.72	SS-64869-C	M6 - 32	-	C
	0.750	3.31	2	0.38	S/D	3	Parlec	B30-01EM238-P	\$76.30	SS-029-014-P	M10 - 32	-	B

3/16" BT-30 Endmill Holders-3/16" (.1875) Diameter

C Proj.	B Outside (Dia.)	D	Fig. No.	E	End Mill Type	Tight. Torque (ft.lbs.)	Vendor	Part Number	Price Each	Set Screw Part Number	Set Screw Size	MAX RPM Balanced Up To	Code
2.380	0.780	-	1	0.56	-	-	Collis	B30-18EM238-C	\$64.72	SS-64869-C	M6 - 32	-	C
	0.750	3.31	2	0.50	S/D	4	Parlec	B30-18EM238-P	\$76.30	SS-029-018-P	1/4" - 28	-	B

1/4" BT-30 Endmill Holders-1/4" (.2500) Diameter

C Proj.	B Outside (Dia.)	D	Fig. No.	E	End Mill Type	Tight. Torque (ft.lbs.)	Vendor	Part Number	Price Each	Set Screw Part Number	Set Screw Size	MAX RPM Balanced Up To	Code
2.360	0.790	-	-	-	-	-	Sowa	B30-25EM236-GB	\$62.82	-	1/4-28	20,000	C
	-	-	-	-	-	-	SpinTru	B30-25EM236-KB	\$62.82	-	-	20,000G2.5	D
2.380	0.780	-	1	0.56	-	-	Collis	B30-25EM238-C	\$64.72	SS-64840-C	1/4" - 28	-	C
	0.810	3.31	2	0.38	S/D	7	Parlec	B30-25EM238-P	\$76.30	SS-029-018-P	1/4" - 28	-	B

5/16" BT-30 Endmill Holders-5/16" (.3125) Diameter

C Proj.	B Outside (Dia.)	D	Fig. No.	E	End Mill Type	Tight. Torque (ft.lbs.)	Vendor	Part Number	Price Each	Set Screw Part Number	Set Screw Size	MAX RPM Balanced Up To	Code
2.360	0.870	-	-	-	-	-	Sowa	B30-31EM236-GB	\$62.82	-	5/16-24	20,000	C
	-	-	-	-	-	-	SpinTru	B30-31EM236-KB	\$62.82	-	-	20,000G2.5	D
2.380	0.780	-	1	0.75	-	-	Collis	B30-31EM238-C	\$64.72	SS-64840-C	1/4" - 28	-	C
	1.000	3.31	2	0.60	S/D	9	Parlec	B30-31EM238-P	\$76.30	SS-029-023-P	-	-	B

3/8" BT-30 Endmill Holders-3/8" (.3750) Diameter

C Proj.	B Outside (Dia.)	D	Fig. No.	E	End Mill Type	Tight. Torque (ft.lbs.)	Vendor	Part Number	Price Each	Set Screw Part Number	Set Screw Size	MAX RPM Balanced Up To	Code
2.360	1.000	-	-	-	-	-	Sowa	B30-37EM236-GB	\$62.82	-	3/8-24	20,000	C
	-	-	-	-	-	-	SpinTru	B30-37EM236-KB	\$62.82	-	-	20,000G2.5	D
2.380	1.120	-	1	0.75	-	-	Collis	B30-37EM238-C	\$64.72	SS-64841-C	3/8" - 24	-	C
	1.380	3.31	2	0.75	S/D	12	Parlec	B30-37EM238-P	\$76.30	SS-029-902-P	3/8" - 24	-	B

7/16" BT-30 Endmill Holders-7/16" (.4375) Diameter

C Proj.	B Outside (Dia.)	D	Fig. No.	E	End Mill Type	Tight. Torque (ft.lbs.)	Vendor	Part Number	Price Each	Set Screw Part Number	Set Screw Size	MAX RPM Balanced Up To	Code
2.360	1.380	-	-	-	-	-	Sowa	B30-43EM236-GB	\$62.82	-	7/16-20	20,000	C
	-	-	-	-	-	-	SpinTru	B30-43EM236-KB	\$62.82	-	-	20,000G2.5	D

1/2" BT-30 Endmill Holders-1/2" (.5000) Diameter

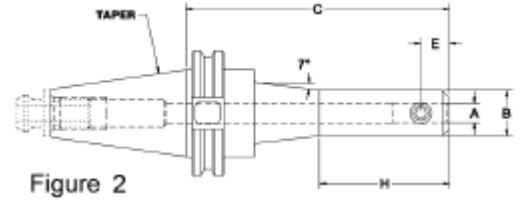
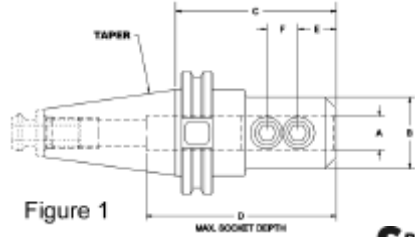
C Proj.	B Outside (Dia.)	D	Fig. No.	E	End Mill Type	Tight. Torque (ft.lbs.)	Vendor	Part Number	Price Each	Set Screw Part Number	Set Screw Size	MAX RPM Balanced Up To	Code
1.750	1.500	1.75	1	0.88	S	17	Parlec	B30-50EM175-P	\$76.30	SS-029-917-P	7/8" - 20	-	B
2.360	1.380	-	-	-	-	-	Sowa	B30-50EM236-GB	\$62.82	-	7/16-20	20,000	C
	-	-	-	-	-	-	SpinTru	B30-50EM236-KB	\$62.82	-	-	20,000G2.5	D
2.380	1.250	-	1	0.88	-	-	Collis	B30-50EM238-C	\$64.72	SS-64842-C	7/16" - 20	-	C
	1.380	2.00	2	0.88	S	17	Parlec	B30-50EM238-P	\$76.30	SS-029-917-P	7/8" - 20	-	B

Call Us Today For All Of Your Machine Tool Needs!

BT TAPER TOOL HOLDERS

END MILL HOLDERS

Balanced Toolholders Now Available!



5/8" BT-30 Endmill Holders-5/8" (.6250) Diameter

C Proj.	B Outside (Dia.)	D	Fig. No.	E	End Mill Type	Tight. Torque (ft.lbs.)	Vendor	Part Number	Price Each	Set Screw Part Number	Set Screw Size	MAX RPM Balanced Up To	Code
2.500	1.620	1.85	1	0.88	-	21	SpinTru	B30-62EM250-KB	\$62.82	-	-	20,000G2.5	D
	1.650	-	-	-	-	-	Sowa	B30-62EM250-GB	\$62.82	-	9/16-18	20,000	C
	1.620	-	1	0.94	-	-	Collis	B30-62EM250-C	\$64.72	SS-64843-C	9/16" - 18	-	C
	1.440	2.25	2	0.94	S	31	Parlec	B30-62EM250-P	\$76.30	SS-029-918-P	9/16" - 18	-	B

3/4" BT-30 Endmill Holders-3/4" (.7500) Diameter

C Proj.	B Outside (Dia.)	D	Fig. No.	E	End Mill Type	Tight. Torque (ft.lbs.)	Vendor	Part Number	Price Each	Set Screw Part Number	Set Screw Size	MAX RPM Balanced Up To	Code
2.500	2.000	2.25	2	1.00	S	45	Parlec	B30-75EM250-P	\$76.30	SS-029-925-P	5/8" - 18	-	B
3.000	1.750	2.50	2	0.75	-	70	SpinTru	B30-75EM300-KB	\$62.82	-	-	20,000G2.5	D
	1.880	-	-	-	-	-	Sowa	B30-75EM300-GB	\$62.82	-	5/8-18	20,000	C
	1.750	-	1	1.00	-	-	Collis	B30-75EM300-C	\$64.72	SS-64844-C	5/8" - 18	-	C

7/8" BT-30 Endmill Holders-7/8" (.8750) Diameter

C Proj.	B Outside (Dia.)	D	Fig. No.	E	End Mill Type	Tight. Torque (ft.lbs.)	Vendor	Part Number	Price Each	Set Screw Part Number	Set Screw Size	MAX RPM Balanced Up To	Code
2.500	2.000	2.62	2	1.00	S	110	Parlec	B30-87EM250-P	\$76.30	SS-029-925-P	5/8" - 18	-	B
3.540	2.000	-	-	-	-	-	Sowa	B30-87EM354-GB	\$62.82	-	5/8-18	20,000	C
	-	-	-	-	-	-	SpinTru	B30-87EM354-KB	\$62.82	-	-	20,000G2.5	D
3.560	2.170	-	2	1.00	-	-	Collis	B30-87EM356-C	\$71.52	SS-64844-C	-	-	C
	2.000	2.62	2	1.00	S	110	Parlec	B30-87EM356-P	\$89.60	SS-029-925-P	-	-	B

1" BT-30 Endmill Holders-1" (1.000) Diameter

C Proj.	B Outside (Dia.)	D	Fig. No.	E	End Mill Type	Tight. Torque (ft.lbs.)	Vendor	Part Number	Price Each	Set Screw Part Number	Set Screw Size	MAX RPM Balanced Up To	Code
2.750	2.380	2.50	2	1.12	S	69	Parlec	B30-10EM275-P	\$76.30	SS-029-926-P	3/4" - 16	-	B
3.540	2.360	-	-	-	-	-	Sowa	B30-10EM354-GB	\$62.82	-	3/4-16	20,000	C
	-	-	-	-	-	-	SpinTru	B30-10EM354-KB	\$62.82	-	-	20,000G2.5	D
3.560	2.380	-	2	1.00	-	-	Collis	B30-10EM356-C	\$71.52	SS-64845-C	-	-	C
	2.380	3.50	2	1.12	S/D	69	Parlec	B30-10EM356-P	\$81.90	SS-029-926-P	-	-	B

END MILL HOLDERS-BT-35 TAPER



BT-35 Endmill Holders-1/8" to 1 1/4

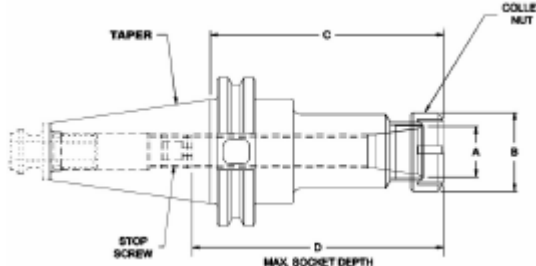
A Inside Dia	C Proj.	B Outside (Dia.)	D	Fig. No.	E	End Mill Type	Tight. Torque (ft.lbs.)	Vendor	Part Number	Price Each	Set Screw Part Number	Set Screw Size	Code
1/8	0.1250	2.380	0.500	-	1	0.56	-	Collis	B35-01EM238-C	\$85.20	SS-64869-C	M6 - 32	C
3/16	0.1875	2.500	0.780	-	1	0.56	-	Collis	B35-18EM250-C	\$85.20	SS-64869-C	M6 - 32	C
1/4	0.2500	2.500	0.780	-	1	0.56	-	Collis	B35-25EM250-C	\$85.20	SS-64840-C	1/4" - 28	C
5/16	0.3125	2.500	0.780	-	1	0.75	-	Collis	B35-31EM250-C	\$85.20	SS-64840-C	1/4" - 28	C
3/8	0.3750	2.500	1.120	-	1	0.75	-	Collis	B35-37EM250-C	\$85.20	SS-64841-C	3/8" - 24	C
1/2	0.5000	2.500	1.500	-	1	0.88	-	Collis	B35-50EM250-C	\$85.20	SS-64842-C	7/16" - 20	C
5/8	0.6250	2.500	1.620	-	1	0.94	-	Collis	B35-62EM250-C	\$85.20	SS-64843-C	9/16" - 18	C
3/4	0.7500	2.500	1.750	-	1	1.00	-	Collis	B35-75EM250-C	\$85.20	SS-64844-C	5/8" - 18	C
7/8	0.8750	3.500	2.170	-	2	1.00	-	Collis	B35-87EM350-C	\$91.12	SS-64844-C	5/8" - 18	C
1	1.0000	3.500	2.380	-	2	1.00	-	Collis	B35-10EM350-C	\$91.12	SS-64845-C	3/4" - 16	C
1-1/4	1.2500	3.500	2.500	-	2	1.00	-	Collis	B35-12EM350-C	\$102.24	SS-64845-C	3/4" - 16	C

Call Us Or Visit Our Website For Our Complete Selection!

BT-30/35 ER COLLET CHUCKS

ER COLLET CHUCKS

Balanced Toolholders Now Available!



ER COLLETS
are on pages
155-158



BT-30 ER COLLET CHUCKS

C Proj.	L1	B Nut Dia.	D Socket Depth	Nut Tight. Torque (ft.lbs.)	Vendor	Part Number	Price Each	MAX RPM Balanced Up To	Collet Nut	Wrench	Stop Screw	Code
ER 11	ER-11 Collet Series-.020 - 0.275 (0.5mm - 7mm)											
2.00	0.65	0.75	-	-	Sowa	B30-11ER200-GB	\$94.78	20,000	-	-	-	C
	-	0.75	1.75	22	SpinTru	B30-11ER200-KB	\$94.78	20,000G2.5	-	-	-	D
4.00	0.65	0.75	-	-	Sowa	B30-11ER400-GB	\$94.78	20,000	-	-	-	C
	-	0.75	2.25	22	SpinTru	B30-11ER400-KB	\$94.78	20,000G2.5	-	-	-	D

ER 16	ER-16 Collet Series-.020 - 0.393 (0.5mm - 10mm)											
2.36	0.87	1.10	-	-	Sowa	B30-16ER236-GB	\$94.78	20,000	-	-	-	C
	-	1.10	2.55	45	SpinTru	B30-16ER236-KB	\$94.78	20,000G2.5	-	-	-	D
2.48	-	1.10	1.95	52	Parlec	B30-16ER248-P	\$131.60	-	CN-160 / CN-161(split ring)	WR-160	BS-20	B
3.00	-	1.10	1.93	-	Collis	B30-16ER300-C	\$127.76	-	-	WR-160	64766	C
4.00	0.87	1.10	-	-	Sowa	B30-16ER400-GB	\$94.78	20,000	-	-	-	C
	-	1.10	2.55	45	SpinTru	B30-16ER400-KB	\$94.78	20,000G2.5	-	-	-	D
5.00	0.87	1.10	-	-	Sowa	B30-16ER500-GB	\$99.45	20,000	-	-	-	C
	-	1.10	2.55	45	SpinTru	B30-16ER500-KB	\$99.45	20,000G2.5	-	-	-	D
6.00	0.87	1.10	-	-	Sowa	B30-16ER600-GB	\$99.45	20,000	-	-	-	C
	-	1.10	2.55	45	SpinTru	B30-16ER600-KB	\$99.45	20,000G2.5	-	-	-	D

ER 20	ER-20 Collet Series-.020 - 0.500 (0.5mm - 12.7mm)											
2.50	1.06	1.35	-	-	Sowa	B30-20ER250-GB	\$95.46	20,000	-	-	-	C
4.00	1.06	1.35	-	-	Sowa	B30-20ER400-GB	\$95.46	20,000	-	-	-	C
	-	1.35	2.63	50	SpinTru	B30-20ER400-KB	\$95.46	20,000G2.5	-	-	-	D

ER 25	ER-25 Collet Series-.039 - 0.630 (1mm - 16mm)											
2.00	1.18	1.65	-	-	Sowa	B30-25ER200-GB	\$99.03	20,000	-	-	-	C
	-	1.65	2.55	100	SpinTru	B30-25ER200-KB	\$99.03	20,000G2.5	-	-	-	D
4.00	1.18	1.65	-	-	Sowa	B30-25ER400-GB	\$99.03	20,000	-	-	-	C
	-	1.65	2.55	100	SpinTru	B30-25ER400-KB	\$99.03	20,000G2.5	-	-	-	D

ER 32	ER-32 Collet Series-.040 - 0.810 (1mm - 20.6mm)											
2.48	-	1.97	2.20	125	Parlec	B30-32ER248-P	\$151.20	-	CN-320	WR-320	029-911	B
3.00	1.34	1.97	-	-	Sowa	B30-32ER300-GB	\$100.98	20,000	-	-	-	C
	-	1.97	2.40	125	SpinTru	B30-32ER300-KB	\$100.98	20,000G2.5	-	-	-	D
5.00	1.34	1.97	-	-	Sowa	B30-32ER500-GB	\$108.38	20,000	-	-	-	C
	-	1.97	2.40	125	SpinTru	B30-32ER500-KB	\$108.38	20,000G2.5	-	-	-	D

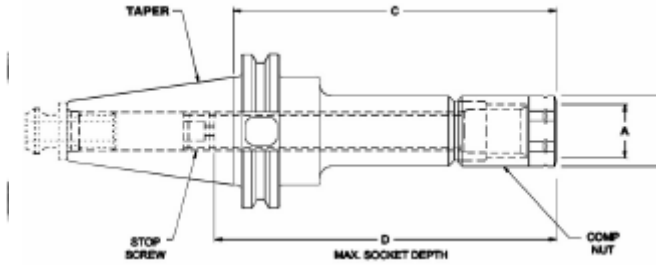
BT-35 ER COLLET CHUCKS

C Proj.	L1	B Nut Dia.	D Socket Depth	Nut Tight. Torque (ft.lbs.)	Vendor	Part Number	Price Each	MAX RPM Balanced Up To	Collet Nut	Wrench	Stop Screw	Code
ER 16	ER-16 Collet Series-.020 - 0.393 (0.5mm - 10mm)											
3.00	-	1.08	1.93	-	Collis	B35-16ER300-C	\$136.32	-	CN-160 / CN-161(split ring)	WR-160	64766	C

Call Us Today For All Of Your Machine Tool Needs!

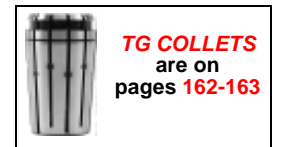
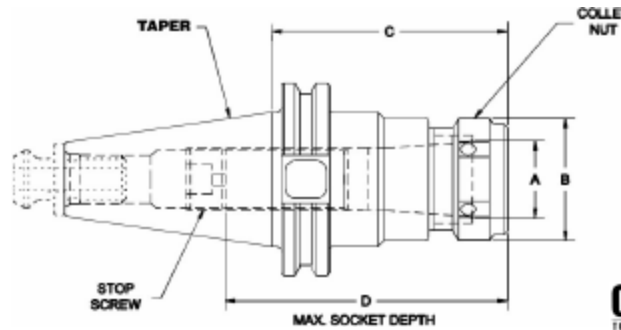
BT-30 COLLET CHUCKS-DA & TG

DA COLLET CHUCKS



C Proj.	B Nut Dia.	D Socket Depth	Nut Tight. Torque (ft.lbs.)	Vendor	Part Number	Price Each	MAX RPM Balanced Up To	Collet Nut	Wrench	Stop Screw	Code
DA 100	DA100 Collet Series-.062 - 0.562 (1.587mm - 14.287mm)										
3.00	1.39	-	-	Collis	B30-10DA300-C	\$97.12	-	CN-100	WR-100	64768	C
DA 180	DA180 Collet Series-.031 - 0.750 (.800mm - 19mm)										
3.00	1.69	-	-	Collis	B30-18DA300-C	\$97.12	-	CN-180	WR-180	64764	C
	1.44	2.00	40 ft. lbs.	Parlec	B30-18DA300-P	\$115.50	-	CN-180-P	WR-180-P	BS-18	B
DA 200	DA200 Collet Series-.031 - 0.375 (.080mm - 9.5mm)										
3.00	1.13	-	-	Collis	B30-20DA300-C	\$97.12	-	CN-205	WR-205	64921	C
DA 300	DA300 Collet Series-.031 - 0.250 (.800mm - 6.40mm)										
3.00	.85	-	-	Collis	B30-30DA300-C	\$97.12	-	CN-300-A	WR-300-A	64921	C

TG COLLET CHUCKS



C Proj.	B Nut Dia.	D Socket Depth	Nut Tight. Torque (ft.lbs.)	Vendor	Part Number	Price Each	MAX RPM Balanced Up To	Collet Nut	Wrench	Stop Screw	Code
TG75	TG75 Collet Series-3/64 - 3/4 (1.2mm - 19.1mm)										
2.95	2.12	-	-	Collis	B30-75SC295-C	\$101.36	-	CN-750	WR-750	-	C
TG100	TG100 Collet Series-5/64 - 1" (2mm - 25.4mm)										
3.93	2.44	-	-	Collis	B30-10SC393-C	\$101.36	-	CN-108	WR-108	64764	C
3.94	-	-	-	Sowa	B30-10SC394-GB	\$72.17	20,000	-	-	-	C

TG COLLET SETS



Accu-Collets

E

Set Qty	Range	USST	Price
59	3/32"-1" -64ths	100-SET59	885.00
41	3/8"-1"-64ths	100-SET41	615.00
30	3/32"-1"-32nds	100-SET30	450.00
21	3/8"-1"-32nds	100-SET21	315.00
15	1/8"-1"-16ths	100-SET15	225.00

DOUBLE ANGLE COLLET SETS



Accu-Collets

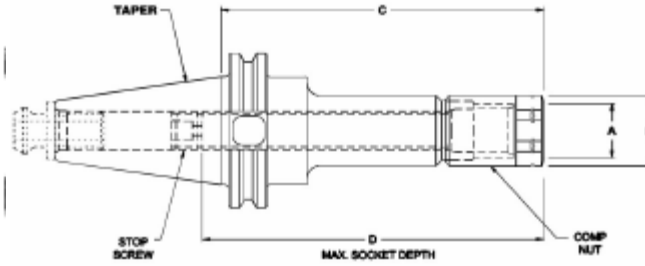
E

Collet Series	Description	Part Number	Price
DA300	9 Pieces (1/8"-1/4") by 64ths	DA300-009	89.25
DA200	17 Pieces (1/8"-3/8") by 64ths	DA200-017	170.00
DA100	29 Pieces (1/8"-9/16") by 64ths	DA100-029	296.40
DA180	33 Pieces(1/4-3/4) by 64ths	DA180-033	357.28
DA180	21 Pieces(1/8-3/4) by 32nds	DA-180-021	244.64

Call Us Or Visit Our Website For Our Complete Selection!

BT-35 COLLET CHUCKS-DA & TG

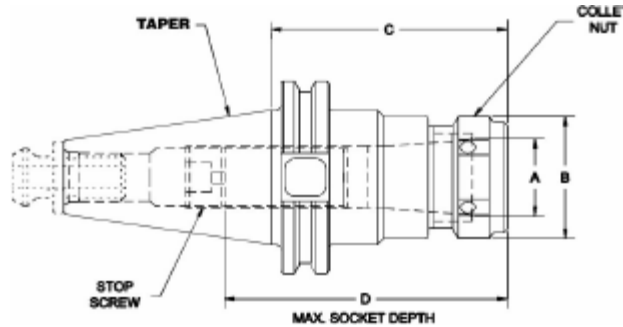
DA COLLET CHUCKS



COLLIS
TOOL CORPORATION

C Proj.	B Nut Dia.	D Socket Depth	Nut Tight. Torque (ft.lbs.)	Vendor	Part Number	Price Each	MAX RPM Balanced Up To	Collet Nut	Wrench	Stop Screw	Code
DA100	DA100 Collet Series-.062 - 0.562 (1.587mm - 14.287mm)										
3.00	1.39	-	-	Collis	B35-10DA300-C	\$122.64	-	CN-100	WR-100	64768	C
DA180	DA180 Collet Series-.031 - 0.750 (.800mm - 19mm)										
3.00	1.69	-	-	Collis	B35-18DA300-C	\$122.64	-	CN-180	WR-180	64764	C
DA200	DA200 Collet Series-.031 - 0.375 (.080mm - 9.5mm)										
3.00	1.13	-	-	Collis	B35-20DA300-C	\$122.64	-	CN-205	WR-205	64921	C
DA300	DA300 Collet Series-.031 - 0.250 (.800mm - 6.40mm)										
3.00	.85	-	-	Collis	B35-30DA300-C	\$122.64	-	CN-300-A	WR-300-A	64921	C

TG COLLET CHUCKS



COLLIS
TOOL CORPORATION

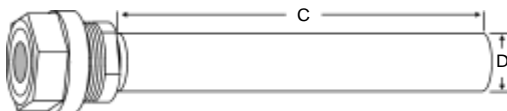
BT-35 TG Collet Chucks

C Proj.	B Nut Dia.	D Socket Depth	Nut Tight. Torque (ft.lbs.)	Vendor	Part Number	Price Each	MAX RPM Balanced Up To	Collet Nut	Wrench	Stop Screw	Code
TG75	TG75 Collet Series-3/64 - 3/4 (1.2mm - 19.1mm)										
2.76	2.12	-	-	Collis	B35-75SC276-C	\$101.36	-	CN-750	WR-750	none	C
TG100	TG100 Collet Series-5/64 - 1" (2mm - 25.4mm)										
3.50	2.44	-	-	Collis	B35-10SC350-C	\$101.36	-	CN-108	WR-108	64764	C

COLLET EXTENSIONS

DA STRAIGHT SHANK COLLET HOLDERS

B USST



DA Collet Extensions

DA Collet Size	C Shank Length	D Shank Diameter	Part Number	Price Each
DA300	2.75	.500	ST-05-30DA2	48.00
	5.62	.500	ST-05-30DA5	48.00
DA200	3.00	.625	ST-06-20DA3	53.00
	5.62	.750	ST-07-20DA5	58.00
DA100	3.00	1.000	ST-10-10DA3	63.00
	5.62	1.000	ST-10-10DA5	63.00
DA180	5.00	1.250	ST-12-18DA5	78.00
		1.500	ST-15-18DA5	85.00
		1.750	ST-17-18DA5	90.00

Call Us Today For All Of Your Machine Tool Needs!

BT-40 TOOL HOLDERS

END MILL HOLDERS

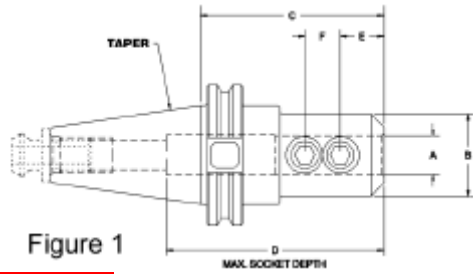


Figure 1

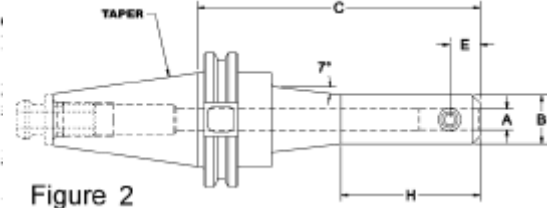


Figure 2

Balanced Toolholders Now Available!



1/8" BT-40 Endmill Holders-1/8" (.1250) Diameter

C Proj.	B Outside (Dia.)	D	Fig. No.	E	End Mill Type	Tight. Torque (ft.lbs.)	Vendor	Part Number	Price Each	Set Screw Part Number	Set Screw Size	MAX RPM Balanced Up To	Code
2.500	0.500	-	1	0.56	-	-	Collis	B40-01EM250-C	\$76.64	SS-64869-C	-	-	C

3/16" BT-40 Endmill Holders-3/16" (.1875) Diameter

C Proj.	B Outside (Dia.)	D	Fig. No.	E	End Mill Type	Tight. Torque (ft.lbs.)	Vendor	Part Number	Price Each	Set Screw Part Number	Set Screw Size	MAX RPM Balanced Up To	Code
2.250	0.690	3.00	2	0.44	S / D	4	Parlec	B40-18EM225-P	\$77.70	SS-029-018-P	-	-	B
	0.690	-	2	0.44	-	-	USST	B40-18EM225-U	\$39.95	SS-029-015-U	-	-	D
2.500	0.780	-	1	0.56	-	-	Collis	B40-18EM250-C	\$76.64	SS-64869-C	-	-	C
	0.680	-	-	0.44	S / D	-	Domestic	B40-18EM250-A	\$111.35	SS-1/4-28W-A	-	-	B

1/4" BT-40 Endmill Holders-1/4" (.2500) Diameter

C Proj.	B Outside (Dia.)	D	Fig. No.	E	End Mill Type	Tight. Torque (ft.lbs.)	Vendor	Part Number	Price Each	Set Screw Part Number	Set Screw Size	MAX RPM Balanced Up To	Code
1.380	0.790	1.50	1	0.56	-	5	SpinTru	B40-25EM138-KB	\$66.13	-	-	20,000G2.5	D
	0.790	-	-	-	-	-	Sowa	B40-25EM138-GB	\$66.13	-	1/4-28	20,000	C
2.250	0.880	3.00	2	0.44	S / D	7	Parlec	B40-25EM225-P	\$81.90	SS-029-018-P	-	-	B
	0.880	-	2	0.55	-	-	USST	B40-25EM225-U	\$39.95	SS-029-018-U	-	-	D
2.500	0.790	1.50	1	0.56	-	5	SpinTru	B40-25EM250-KB	\$66.13	-	-	20,000G2.5	D
	0.780	-	1	0.56	-	-	Collis	B40-25EM250-C	\$76.64	SS-64840-C	-	-	C
	0.880	-	-	0.44	S / D	-	Domestic	B40-25EM250-A	\$75.60	SS-1/4-28W-A	-	-	B
	0.790	-	-	-	-	-	Sowa	B40-25EM250-GB	\$66.13	-	1/4-28	20,000	C
4.000	0.790	-	-	-	-	-	Sowa	B40-25EM400-GB	\$69.36	-	1/4-28	20,000	C
	-	-	-	-	-	-	SpinTru	B40-25EM400-KB	\$69.36	-	-	20,000G2.5	D

5/16" BT-40 Endmill Holders-5/16" (.3125) Diameter

C Proj.	B Outside (Dia.)	D	Fig. No.	E	End Mill Type	Tight. Torque (ft.lbs.)	Vendor	Part Number	Price Each	Set Screw Part Number	Set Screw Size	MAX RPM Balanced Up To	Code
1.380	0.870	1.14	1	0.56	-	10	SpinTru	B40-31EM138-KB	\$66.13	-	-	20,000G2.5	D
	0.870	-	-	-	-	-	Sowa	B40-31EM138-GB	\$66.13	-	5/16-24	20,000	C
2.250	1.000	3.00	2	0.44	S / D	9	Parlec	B40-31EM225-P	\$78.40	SS-029-018-P	-	-	B
	1.000	-	2	0.55	-	-	USST	B40-31EM225-U	\$39.95	SS-029-019-U	-	-	D
2.500	1.000	1.14	1	0.56	-	10	SpinTru	B40-31EM250-KB	\$65.03	-	-	20,000G2.5	D
	0.780	-	1	0.75	-	-	Collis	B40-31EM250-C	\$76.64	SS-64840-C	-	-	C
	1.000	-	-	0.44	S / D	-	Domestic	B40-31EM250-A	\$91.80	SS-1/4-28W-A	-	-	B
	0.870	-	-	-	-	-	Sowa	B40-31EM250-GB	\$65.03	-	5/16-24	20,000	C
4.000	0.870	-	-	-	-	-	Sowa	B40-31EM400-GB	\$68.26	-	5/16-24	20,000	C
	-	-	-	-	-	-	SpinTru	B40-31EM400-KB	\$68.26	-	-	20,000G2.5	D



**BALANCED
TOOLHOLDERS AVAILABLE!**
20,000RPM @ g2.5!

**NEW
ITEM!**

Prices Starting
At ONLY

Buy A Balanced Holder For The Price Of A
Standard Endmill Holder!

\$61.34 ea

Call Us Or Visit Our Website For Our Complete Selection!

BT-40 TOOL HOLDERS

END MILL HOLDERS

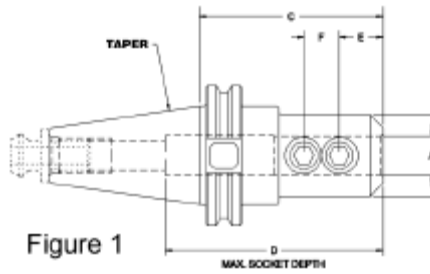


Figure 1

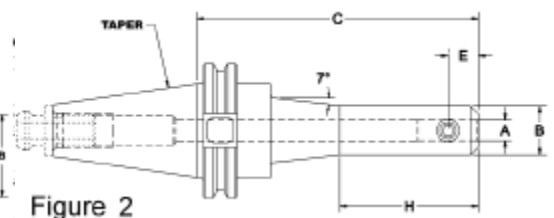


Figure 2



3/8" BT-40 Endmill Holders-3/8" (.3750) Diameter													
C Proj.	B Outside (Dia.)	D	Fig. No.	E	End Mill Type	Tight. Torque (ft.lbs.)	Vendor	Part Number	Price Each	Set Screw Part Number	Set Screw Size	MAX RPM Balanced Up To	Code
1.380	1.000	1.53	1	0.75	-	15	SpinTru	B40-37EM138-KB	\$66.13	-	-	20,000G2.5	D
	1.000	-	-	-	-	-	Sowa	B40-37EM138-GB	\$66.13	-	3/8-24	20,000	C
2.250	1.000	3.00	2	0.75	S	12	Parlec	B40-37EM225-P	\$69.30	SS-029-902-P	-	-	B
	1.000	-	2	0.75	-	-	USST	B40-37EM225-U	\$39.95	SS-029-902-U	-	-	D
2.500	1.000	1.53	1	0.75	-	15	SpinTru	B40-37EM250-KB	\$66.13	-	-	20,000G2.5	D
	1.120	-	1	0.75	-	-	Collis	B40-37EM250-C	\$76.64	SS-64841-C	-	-	C
	1.000	-	-	0.74	S / D	-	Domestic	B40-37EM250-A	\$75.60	SS-3/8-24W-A	-	-	B
	1.000	-	-	-	-	-	Sowa	B40-37EM250-GB	\$66.13	-	3/8-24	20,000	C
4.000	1.120	-	1	0.75	-	-	Collis	B40-37EM400-C	\$80.88	SS-64841-C	-	-	C
	1.000	4.00	2	0.75	S	12	Parlec	B40-37EM400-P	\$88.20	SS-029-902-P	-	-	B
	1.000	-	-	-	-	-	Sowa	B40-37EM400-GB	\$69.36	-	3/8-24	20,000	C
	-	-	-	-	-	-	SpinTru	B40-37EM400-KB	\$69.36	-	-	20,000G2.5	D
6.000	1.000	-	-	0.74	S / D	-	Domestic	B40-37EM600-A	\$109.65	SS-3/8-24W-A	-	-	B

7/16" BT-40 Endmill Holders-7/16" (.4375) Diameter													
C Proj.	B Outside (Dia.)	D	Fig. No.	E	End Mill Type	Tight. Torque (ft.lbs.)	Vendor	Part Number	Price Each	Set Screw Part Number	Set Screw Size	MAX RPM Balanced Up To	Code
2.250	1.250	3.00	2	0.75	S / D	14	Parlec	B40-43EM225-P	\$78.40	SS-029-902-P	-	-	B
	1.250	-	2	1.00	-	-	USST	B40-43EM225-U	\$39.95	SS-029-903-U	-	-	D
2.500	1.250	-	-	0.74	S / D	-	Domestic	B40-43EM250-A	\$91.80	SS-3/8-24W-A	-	-	B
	1.380	-	-	-	-	-	Sowa	B40-43EM250-GB	\$65.03	-	7/16-20	20,000	C
	-	-	-	-	-	-	SpinTru	B40-43EM-250-KB	\$63.50	-	-	20,000G2.5	D

1/2" BT-40 Endmill Holders-1/2" (.5000) Diameter													
C Proj.	B Outside (Dia.)	D	Fig. No.	E	End Mill Type	Tight. Torque (ft.lbs.)	Vendor	Part Number	Price Each	Set Screw Part Number	Set Screw Size	MAX RPM Balanced Up To	Code
1.750	1.250	-	2	0.50	-	-	USST	B40-50EM175-U	\$39.95	SS-029-917-U	-	-	D
	1.380	1.77	1	0.88	-	21	SpinTru	B40-50EM175-KB	\$66.13	-	-	20,000G2.5	D
	1.750	-	1	0.75	-	-	Collis	B40-50EM175-C	\$76.64	SS-64842-C	-	-	C
	1.250	-	-	0.88	S	-	Domestic	B40-50EM175-A	\$91.80	SS-7/16-20W-A	-	-	B
	1.250	2.75	2	0.88	S	17	Parlec	B40-50EM175-P	\$69.30	SS-029-917-P	-	-	B
	1.380	-	-	-	-	-	Sowa	B40-50EM175-GB	\$66.13	-	7/16-20	20,000	C
2.250	1.250	3.00	2	0.88	S / D	17	Parlec	B40-50EM225-P	\$69.30	SS-029-917-P	-	-	B
2.500	1.500	-	1	0.88	-	-	Collis	B40-50EM250-C	\$76.64	SS-64842-C	-	-	C
	1.380	-	-	-	-	-	Sowa	B40-50EM250-GB	\$66.13	-	7/16-20	20,000	C
	-	-	-	-	-	-	SpinTru	B40-50EM250-KB	\$66.13	-	-	20,000G2.5	D
2.620	1.250	-	-	0.88	S / D	-	Domestic	B40-50EM262-A	\$75.60	SS-7/16-20W-A	-	-	B
4.000	1.500	-	1	0.88	-	-	Collis	B40-50EM400-C	\$97.92	SS-64842-C	-	-	C
	1.250	4.50	2	0.88	S / D	17	Parlec	B40-50EM400-P	\$88.20	SS-029-917-P	-	-	B
	1.380	-	-	-	-	-	Sowa	B40-50EM400-GB	\$69.36	-	7/16-20	20,000	C
	-	-	-	-	-	-	SpinTru	B40-50EM400-KB	\$69.36	-	-	20,000G2.5	D
6.000	1.500	-	-	0.88	S / D	-	Domestic	B40-50EM600-A	\$109.65	SS-7/16-20W-A	-	-	B

9/16" BT-40 Endmill Holders-9/16" (.5625) Diameter													
C Proj.	B Outside (Dia.)	D	Fig. No.	E	End Mill Type	Tight. Torque (ft.lbs.)	Vendor	Part Number	Price Each	Set Screw Part Number	Set Screw Size	MAX RPM Balanced Up To	Code
2.250	1.250	3.50	2	0.88	S / D	19	Parlec	B40-56EM225-P	\$93.80	SS-029-917-P	-	-	B
	1.250	-	2	0.88	-	-	USST	B40-56EM225-U	\$39.95	SS-029-9171-U	-	-	D

Call Us Today For All Of Your Machine Tool Needs!

BT-40 TOOL HOLDERS

END MILL HOLDERS

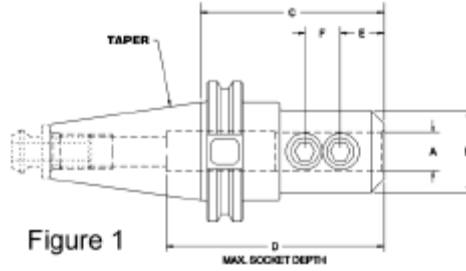


Figure 1

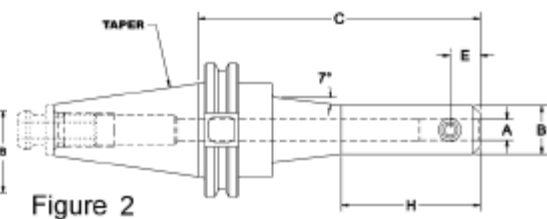


Figure 2



5/8" BT-40 Endmill Holders-5/8" (.6250) Diameter

C Proj.	B Outside (Dia.)	D	Fig. No.	E	End Mill Type	Tight. Torque (ft.lbs.)	Vendor	Part Number	Price Each	Set Screw Part Number	Set Screw Size	MAX RPM Balanced Up To	Code
1.750	1.620	3.58	1	0.94	-	21	SpinTru	B40-62EM175-KB	\$66.13	-	-	20,000G2.5	D
	1.750	-	1	0.94	-	-	Collis	B40-62EM175-C	\$80.08	SS-64843-C	-	-	C
	1.500	2.38	-	0.94	S	-	Domestic	B40-62EM175-A	\$91.80	SS-9/16-18W-A	-	-	B
	1.500	2.75	2	0.88	S	31	Parlec	B40-62EM175-P	\$73.50	SS-029-918-P	-	-	B
	1.650	-	-	-	-	-	Sowa	B40-62EM175-GB	\$66.13	-	9/16-18	20,000	C
	1.500	-	-	-	0.44	-	-	USST	B40-62EM175-U	\$39.95	SS-029-918-U	-	-
2.250	1.500	3.50	2	0.94	S	31	Parlec	B40-62EM225-P	\$73.50	SS-029-918-P	-	-	B
2.500	1.620	-	1	0.94	-	-	Collis	B40-62EM250-C	\$80.88	SS-64843-C	-	-	C
	1.650	-	-	-	-	-	Sowa	B40-62EM250-GB	\$66.13	-	9/16-18	20,000	C
	-	-	-	-	-	-	SpinTru	B40-62EM250-KB	\$66.13	-	-	20,000G2.5	D
3.750	1.500	3.62	-	0.94	S / D	-	Domestic	B40-62EM375-A	\$91.80	SS-9/16-18W-A	-	-	B
4.000	1.620	-	1	0.94	-	-	Collis	B40-62EM400-C	\$97.92	SS-64843-C	-	-	C
	1.650	-	-	-	-	-	Sowa	B40-62EM400-GB	\$69.36	-	9/16-18	20,000	C
	-	-	-	-	-	-	SpinTru	B40-62EM400-KB	\$69.36	-	-	20,000G2.5	D
6.000	1.750	3.62	-	0.94	S / D	-	Domestic	B40-62EM600-A	\$109.65	SS-9/16-18W-A	-	-	B
	1.500	3.50	2	0.94	S	31	Parlec	B40-62EM600-P	\$90.30	SS-029-918-P	-	-	B

3/4" BT-40 Endmill Holders-3/4" (.7500) Diameter

C Proj.	B Outside (Dia.)	D	Fig. No.	E	End Mill Type	Tight. Torque (ft.lbs.)	Vendor	Part Number	Price Each	Set Screw Part Number	Set Screw Size	MAX RPM Balanced Up To	Code
1.750	1.680	2.12	1	1.00	-	38	SpinTru	B40-75EM175-KB	\$66.13	-	-	20,000G2.5	D
	1.750	-	1	1.00	-	-	Collis	B40-75EM175-C	\$80.08	SS-64844-C	-	-	C
	1.750	2.25	-	1.00	S	-	Domestic	B40-75EM175-A	\$91.80	SS-5/8-18W-A	-	-	B
	1.750	2.75	2	1.00	S	43	Parlec	B40-75EM175-P	\$69.30	SS-029-925-P	-	-	B
	1.890	-	-	-	-	-	Sowa	B40-75EM175-GB	\$66.13	-	5/8-18	20,000	C
	1.750	-	-	-	0.44	-	-	USST	B40-75EM175-U	\$39.95	SS-029-925-U	-	-
2.500	1.750	-	2	0.44	-	-	USST	B40-75EM250-U	\$53.50	SS-029-925-U	-	-	D
	1.750	-	1	1.00	-	-	Collis	B40-75EM250-C	\$80.88	SS-64844-C	-	-	C
	1.890	-	-	-	-	-	Sowa	B40-75EM250-GB	\$66.13	-	5/8-18	20,000	C
	-	-	-	-	-	-	SpinTru	B40-75EM250-KB	\$66.13	-	-	20,000G2.5	D
3.380	1.750	2.38	2	1.00	S / D	43	Parlec	B40-75EM338-P	\$73.50	SS-029-925-P	-	-	B
3.750	1.750	4.00	-	1.00	S / D	-	Domestic	B40-75EM375-A	\$75.60	SS-5/8-18W-A	-	-	B
4.000	1.750	-	1	1.00	-	-	Collis	B40-75EM400-C	\$97.92	SS-64844-C	-	-	C
	1.890	-	-	-	-	-	Sowa	B40-75EM400-GB	\$69.36	-	5/8-18	20,000	C
	-	-	-	-	-	-	SpinTru	B40-75EM400-KB	\$69.36	-	-	20,000G2.5	D
6.000	2.000	4.00	-	1.00	S / D	-	Domestic	B40-75EM600-A	\$109.65	SS-5/8-18W-A	-	-	B
	1.750	3.88	2	1.00	S / D	43	Parlec	B40-75EM600-P	\$93.80	SS-029-925-P	-	-	B

7/8" BT-40 Endmill Holders-7/8" (.8750) Diameter

C Proj.	B Outside (Dia.)	D	Fig. No.	E	End Mill Type	Tight. Torque (ft.lbs.)	Vendor	Part Number	Price Each	Set Screw Part Number	Set Screw Size	MAX RPM Balanced Up To	Code
3.380	2.000	-	-	-	-	-	Sowa	B40-87EM338-GB	\$66.13	-	5/8-18	20,000	C
	-	-	-	-	-	-	SpinTru	B40-87EM338-KB	\$66.13	-	-	20,000G2.5	D
3.500	2.170	-	2	1.00	-	-	Collis	B40-87EM350-C	\$85.20	SS-64844-C	-	-	C
3.750	1.880	4.18	2	1.00	S / D	48	Parlec	B40-87EM375-P	\$78.40	SS-029-925-P	-	-	B
	1.880	2.55	2	1.00	-	-	USST	B40-87EM375-U	\$39.95	SS-029-9251-U	-	-	D
4.000	2.000	4.00	-	1.00	S / D	-	Domestic	B40-87EM400-A	\$98.60	SS-5/8-18W-A	-	-	B
6.000	2.000	-	-	-	-	-	Sowa	B40-87EM600-GB	\$79.14	-	5/8-18	20,000	C
	2.000	4.25	1	1.00	-	38	SpinTru	B40-87EM600-KB	\$79.14	-	-	20,000G2.5	D

Call Us Or Visit Our Website For Our Complete Selection!

BT-40 TOOL HOLDERS

END MILL HOLDERS

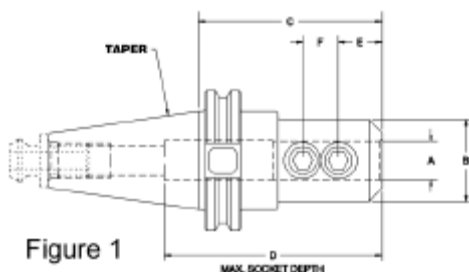


Figure 1

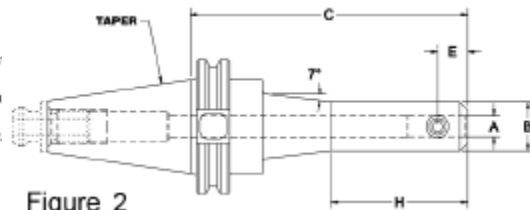


Figure 2

Balanced Toolholders Now Available!

1" BT-40 Endmill Holders-1" (1.000) Diameter



C Proj.	B Outside (Dia.)	D	Fig. No.	E	End Mill Type	Tight. Torque (ft.lbs.)	Vendor	Part Number	Price Each	Set Screw Part Number	Set Screw Size	MAX RPM Balanced Up To	Code
1.750	2.380	-	1	1.13	-	-	Collis	B40-10EM175-C	\$83.44	SS-64845-C	-	-	C
	2.000	2.50	-	1.12	S	-	Domestic	B40-10EM175-A	\$91.80	SS-3/4-16W-A	-	-	B
	2.000	2.38	2	1.12	S	69	Parlec	B40-10EM175-P	\$77.00	SS-029-926-P	-	-	B
	2.000	-	2	0.35	-	-	USST	B40-10EM175-U	\$39.95	SS-029-926-U	-	-	D
2.000	2.250	-	-	-	-	-	Sowa	B40-10EM200-GB	\$66.13	-	3/4-16	20,000	C
	-	-	-	-	-	-	SpinTru	B40-10EM200-KB	\$66.13	-	-	20,000G2.5	D
3.500	2.380	-	2	1.00	-	-	Collis	B40-10EM350-C	\$85.20	SS-64845-C	-	-	C
3.560	2.360	-	-	-	-	-	Sowa	B40-10EM356-GB	\$66.13	-	3/4-16	20,000	C
	-	-	-	-	-	-	SpinTru	B40-10EM356-KB	\$66.13	-	-	20,000G2.5	D
4.000	2.000	4.50	-	1.12	S/D	-	Domestic	B40-10EM400-A	\$98.60	SS-3/4-16W-A	-	-	B
	2.000	4.44	2	1.12	S/D	69	Parlec	B40-10EM400-P	\$74.90	SS-029-926-P	-	-	B
6.000	2.000	4.53	1	1.13	-	70	SpinTru	B40-10EM600-KB	\$79.14	-	-	20,000G2.5	D
	2.000	4.00	-	1.00	S/D	-	Domestic	B40-10EM600-A	\$114.75	SS-3/4-16W-A	-	-	B
	2.360	-	-	-	-	-	Sowa	B40-10EM600-GB	\$79.14	-	3/4-16	20,000	C
	2.500	4.50	2	1.12	S/D	69	Parlec	B40-10EM600-P	\$93.80	SS-029-926-P	3/4" - 16	-	B

1-1/4" BT-40 Endmill Holders-1 1/4" (1.250) Diameter

C Proj.	B Outside (Dia.)	D	Fig. No.	E	End Mill Type	Tight. Torque (ft.lbs.)	Vendor	Part Number	Price Each	Set Screw Part Number	Set Screw Size	MAX RPM Balanced Up To	Code
2.000	2.500	2.50	1	1.13	-	70	SpinTru	B40-12EM200-KB	\$66.13	-	-	20,000G2.5	D
	2.380	-	2	1.13	-	-	Collis	B40-12EM200-C	\$89.44	SS-64845-C	-	-	C
	2.250	2.50	-	1.12	S	-	Domestic	B40-12EM200-A	\$111.35	SS-3/4-16W-A	-	-	B
	2.500	2.38	2	1.12	S	69	Parlec	B40-12EM200-P	\$86.80	SS-029-955-P	-	-	B
	2.250	-	-	-	-	-	Sowa	B40-12EM200-GB	\$66.13	-	3/4-16	20,000	C
	2.500	3.00	2	0.66	-	-	USST	B40-12EM200-U	\$39.95	SS-029-921-U	-	-	D
3.500	2.500	-	2	1.00	-	-	Collis	B40-12EM350-C	\$97.92	SS-64845-C	-	-	C
3.560	2.480	-	-	-	-	-	Sowa	B40-12EM356-GB	\$66.13	-	3/4-16	20,000	C
	-	-	-	-	-	-	SpinTru	B40-12EM356-KB	\$66.13	-	-	20,000G2.5	D
4.000	2.500	3.38	2	1.12	S	69	Parlec	B40-12EM400-P	\$82.60	SS-029-922-P	-	-	B
4.250	2.500	2.50	-	1.12	S	-	Domestic	B40-12EM425-A	\$102.00	SS-3/4-16W-A	-	-	B
6.000	2.480	-	-	-	-	-	Sowa	B40-12EM600-GB	\$79.14	-	3/4-16	20,000	C
	2.500	3.35	2	1.12	S	69	Parlec	B40-12EM600-P	\$93.80	SS-029-922-P	3/4" - 16	-	B
	-	-	-	-	-	-	SpinTru	B40-12EM600-KB	\$79.14	-	-	20,000G2.5	D

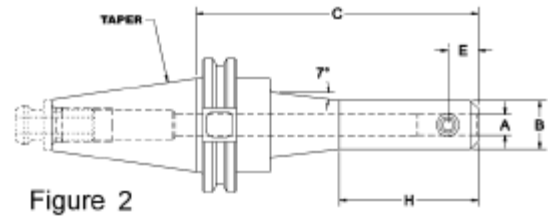
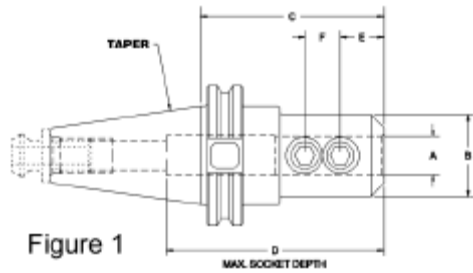
1-1/2" BT-40 Endmill Holders-1 1/2" (1.500) Diameter

C Proj.	B Outside (Dia.)	D	Fig. No.	E	End Mill Type	Tight. Torque (ft.lbs.)	Vendor	Part Number	Price Each	Set Screw Part Number	Set Screw Size	MAX RPM Balanced Up To	Code
4.000	2.620	2.38	2	1.12	S	69	Parlec	B40-15EM400-P	\$91.00	SS-029-922-P	-	-	B
	2.620	3.10	2	1.12	-	-	USST	B40-15EM400-U	\$39.95	SS-029-922-U	-	-	D
4.500	2.990	-	-	-	-	-	Sowa	B40-15EM450-GB	\$75.06	-	3/4-16	20,000	C
	-	-	-	-	-	-	SpinTru	B40-15EM450-KB	\$75.06	-	-	20,000G2.5	D
4.620	2.750	2.75	-	1.12	S	-	Domestic	B40-15EM462-A	\$115.60	SS-3/4-16W-A	-	-	B
6.000	2.990	-	-	-	-	-	Sowa	B40-15EM600-GB	\$64.26	-	3/4-16	20,000	C
	-	-	-	-	-	-	SpinTru	B40-15EM600-KB	\$64.26	-	-	20,000G2.5	D

Call Us Today For All Of Your Machine Tool Needs!

BT TAPER TOOL HOLDERS-METRIC, BT-45, BT-50

END MILL HOLDERS



METRIC BT-40 Metric Endmill Holders-6mm to 25mm														
A Inside Dia.	C Proj.	B Outside (Dia.)	D	Fig. No.	E	End Mill Type	Tight. Torque (ft.lbs.)	Vendor	Part Number	Price Each	Set Screw Part Number	Set Screw Size	Code	
6MM	2.250	0.880	3.13	2	0.38	S/D	7	Parlec	B40-M06EM225-P	\$93.80	SS-029-018-P	1/4" - 28	B	
8MM	2.250	1.000	3.13	2	0.44	S/D	9	Parlec	B40-M08EM225-P	\$93.80	SS-029-018-P	1/4" - 28	B	
10MM	2.250	1.000	3.13	2	0.75	S/D	12	Parlec	B40-M10EM225-P	\$93.80	SS-029-902-P	3/8" - 24	B	
12MM	2.250	1.250	3.13	2	0.88	S/D	17	Parlec	B40-M12EM225-P	\$93.80	SS-029-917-P	7/8" - 20	B	
14MM	2.250	1.250	2.00	2	0.88	S/D	17	Parlec	B40-M14EM225-P	\$93.80	SS-029-917-P	7/8" - 20	B	
16MM	2.250	1.500	2.13	2	0.94	S/D	31	Parlec	B40-M16EM225-P	\$93.80	SS-029-918-P	9/16" - 18	B	
20MM	3.380	1.750	2.25	2	1.00	S/D	43	Parlec	B40-M20EM338-P	\$93.80	SS-029-925-P	5/8" - 18	B	
25MM	4.000	2.000	3.00	2	1.13	S/D	69	Parlec	B40-M25EM400-P	\$93.80	SS-029-926-P	3/4" - 16	B	

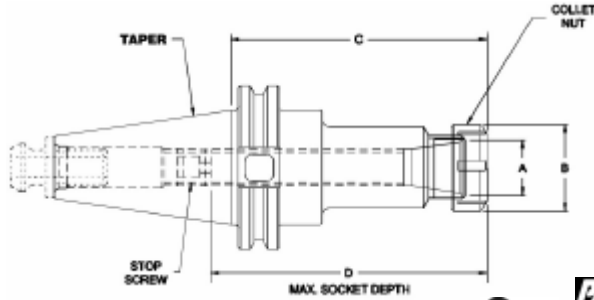
BT-45 Endmill Holders-3/16" to 1 1/4"														
A Inside Dia.	C Proj.	B Outside (Dia.)	D	Fig. No.	E	End Mill Type	Tight. Torque (ft.lbs.)	Vendor	Part Number	Price Each	Set Screw Part Number	Set Screw Size	Code	
3/16	0.1875	3.000	0.780	-	1	0.56	-	Collis	B45-18EM300-C	\$93.68	SS-64869-C	M6 - 32	C	
1/4	0.2500	3.000	0.780	-	1	0.56	-	Collis	B45-25EM300-C	\$93.68	SS-64840-C	1/4" - 28	C	
5/16	0.3125	3.000	0.780	-	1	0.75	-	Collis	B45-31EM300-C	\$93.68	SS-64840-C	1/4" - 28	C	
3/8	0.3750	3.000	1.120	-	1	0.75	-	Collis	B45-37EM300-C	\$102.24	SS-64841-C	3/8" - 24	C	
1/2	0.5000	3.000	1.500	-	1	0.88	-	Collis	B45-50EM300-C	\$102.24	SS-64842-C	7/16" - 20	C	
5/8	0.6250	3.000	1.620	-	1	0.94	-	Collis	B45-62EM300-C	\$102.24	SS-64843-C	9/16" - 18	C	
3/4	0.7500	3.000	1.750	-	1	1.00	-	Collis	B45-75EM300-C	\$102.24	SS-64844-C	5/8" - 18	C	
7/8	0.8750	4.000	2.170	-	2	1.00	-	Collis	B45-87EM400-C	\$111.60	SS-64844-C	5/8" - 18	C	
		6.000	2.170	-	2	1.00	-	Collis	B45-87EM600-C	\$124.32	SS-64844-C	5/8" - 18	C	
1	1.0000	4.000	2.380	-	2	1.12	-	Collis	B45-10EM400-C	\$111.60	SS-64845-C	3/4" - 16	C	
1-1/4	1.2500	4.000	2.690	-	2	1.00	-	Collis	B45-12EM400-C	\$111.60	SS-64845-C	3/4" - 16	C	

BT-50 Endmill Holders-3/8" to 2"														
A Inside Dia.	C Proj.	B Outside (Dia.)	D	Fig. No.	E	End Mill Type	Tight. Torque (ft.lbs.)	Vendor	Part Number	Price Each	Set Screw Part Number	Set Screw Size	Code	
3/8	0.3750	3.000	1.000	-	-	0.75	S/D	-	Domestic	B50-37EM300-A	\$158.10	SS-3/8-24W-A	-	B
		3.000	1.120	-	1	0.75	-	-	Collis	B50-37EM300-C	\$121.76	SS-64841-C	3/8" - 24	C
1/2	0.5000	3.000	1.250	-	-	0.88	S/D	-	Domestic	B50-50EM300-A	\$158.10	SS-7/16-20W-A	7/16" - 20	B
		3.000	1.500	-	1	0.88	-	-	Collis	B50-50EM300-C	\$121.76	SS-64842-C	7/16" - 20	C
5/8	0.6250	3.000	1.500	-	-	0.94	S/D	-	Domestic	B50-62EM300-A	\$158.10	SS-9/16-18W-A	9/16" - 18	B
		3.000	1.620	-	1	0.94	-	-	Collis	B50-62EM300-C	\$121.76	SS-64843-C	9/16" - 18	C
3/4	0.7500	3.000	1.750	4.00	-	1.00	S/D	-	Domestic	B50-75EM300-A	\$158.10	SS-5/8-18W-A	5/8" - 18	B
		3.000	1.750	-	1	1.00	-	-	Collis	B50-75EM300-C	\$125.20	SS-64844-C	5/8" - 18	C
7/8	0.8750	4.000	2.000	4.00	-	1.00	S/D	-	Domestic	B50-87EM400-A	\$167.45	SS-5/8-18W-A	5/8" - 18	B
		4.000	2.170	-	2	1.00	-	-	Collis	B50-87EM400-C	\$135.44	SS-64844-C	5/8" - 18	C
1	1.0000	4.000	2.000	4.50	-	1.13	S/D	-	Domestic	B50-10EM400-A	\$167.45	SS-3/4-16W-A	3/4" - 16	B
		4.000	2.380	-	2	1.00	-	-	Collis	B50-10EM400-C	\$135.44	SS-64845-C	3/4" - 16	C
1-1/4	1.2500	4.000	2.500	2.50	-	1.13	S	-	Domestic	B50-12EM400-A	\$167.45	SS-3/4-16W-A	3/4" - 16	B
		4.000	2.690	-	2	1.00	-	-	Collis	B50-12EM400-C	\$140.56	SS-64845-C	3/4" - 16	C
1-1/2	1.5000	4.000	2.880	-	2	1.00	-	-	Collis	B50-15EM400-C	\$144.80	SS-64845-C	3/4" - 16	C
		4.620	2.750	2.75	-	1.13	S	-	Domestic	B50-15EM462-A	\$180.20	SS-3/4-16W-A	3/4" - 16	B
2	2.0000	5.000	3.620	-	2	1.38	-	-	Collis	B50-20EM500-C	\$166.96	SS-64846-C	1" - 14	C
		5.250	3.750	3.50	-	1.41	S	-	Domestic	B50-20EM525-A	\$227.80	SS-1-14W-A	1" - 14	B

Call Us Or Visit Our Website For Our Complete Selection!

BT-40 TOOL HOLDERS

ER COLLET CHUCKS



Balanced Toolholders Now Available!



C Proj.	L1	B Nut Dia.	D Socket Depth	Nut Tight. Torque (ft.lbs.)	Vendor	Part Number	Price Each	MAX RPM Balanced Up To	Collet Nut	Wrench	Stop Screw	Code
ER11 ER-11 Collet Series-.020 - 0.275 (0.5mm - 7mm)												
2.50	0.65	0.75	-	-	Sowa	B40-11ER250-GB	\$99.71	20000	-	-	-	C
	-	0.75	2.25	22	SpinTru	B40-11ER250-KB	\$99.71	20,000G2.5	-	-	-	D
4.00	0.65	0.75	-	-	Sowa	B40-11ER400-GB	\$99.71	20000	-	-	-	C
	-	0.75	2.25	22	SpinTru	B40-11ER400-KB	\$99.71	20,000G2.5	-	-	-	D
6.00	0.65	0.75	-	-	Sowa	B40-11ER600-GB	\$107.53	20000	-	-	-	C
	-	0.75	2.25	22	SpinTru	B40-11ER600-KB	\$107.53	20,000G2.5	-	-	-	D

C Proj.	L1	B Nut Dia.	D Socket Depth	Nut Tight. Torque (ft.lbs.)	Vendor	Part Number	Price Each	MAX RPM Balanced Up To	Collet Nut	Wrench	Stop Screw	Code
ER16 ER-16 Collet Series-.020 - 0.393 (0.5mm - 10mm)												
2.50	-	1.10	3.00	-	Domestic	B40-16ER250-A	\$123.20	-	CN-160 / CN-161 (split ring)	WR-160	7/16-LH	B
	-	1.10	-	-	USST	B40-16ER250-U	\$81.00	-		WR-160	BS-20	D
2.62	-	1.10	1.62	52	Parlec	B40-16ER262-P	\$133.70	-	CN-160 / CN-161 (split ring)	WR-160	BS-20	B
	-	1.10	2.68	-	Collis	B40-16ER300-C	\$136.32	-		WR-160	64766	C
3.00	-	1.10	2.12	52	Parlec	B40-16ER312-P	\$124.60	-	CN-160 / CN-161 (split ring)	WR-160	BS-20	B
3.50	0.87	1.10	-	-	Sowa	B40-16ER350-GB	\$99.71	20000		-	-	-
	-	1.10	2.83	45	SpinTru	B40-16ER350-KB	\$99.71	20,000G2.5	-	-	-	D
5.00	0.87	1.10	-	-	Sowa	B40-16ER500-GB	\$107.53	20000	CN-160 / CN-161 (split ring)	-	-	C
	-	1.10	3.00	-	Domestic	B40-16ER500-A	\$146.30	-		WR-160	7/16-LH	B
5.12	-	1.10	2.12	52	Parlec	B40-16ER512-P	\$131.60	-	CN-160 / CN-161 (split ring)	WR-160	BS-20	B

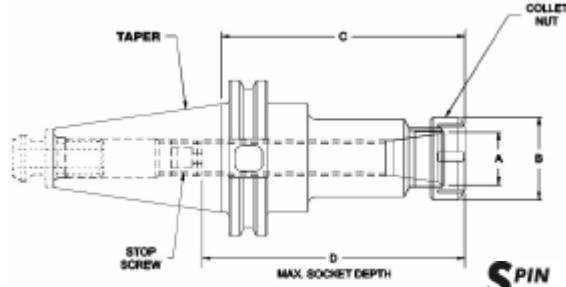
C Proj.	L1	B Nut Dia.	D Socket Depth	Nut Tight. Torque (ft.lbs.)	Vendor	Part Number	Price Each	MAX RPM Balanced Up To	Collet Nut	Wrench	Stop Screw	Code	
ER20 ER-20 Collet Series-.020 - 0.500 (0.5mm - 12.7mm)													
2.50	1.06	1.35	-	-	Sowa	B40-20ER250-GB	\$100.39	20000	-	-	-	C	
2.75	-	1.35	3.00	-	Domestic	B40-20ER275-A	\$123.20	-	CN-200	WR-200	9/16-LH	B	
	-	1.35	-	-	USST	B40-20ER275-U	\$81.00	-			-	D	
4.00	-	1.35	2.31	-	Collis	B40-20ER400-C	\$144.80	-	CN-200	WR-200	64768	C	
	1.06	1.35	-	-	Sowa	B40-20ER400-GB	\$100.39	20000			-	-	C
		1.35	3.00	-	Domestic	B40-20ER400-A	\$128.80	-			CN-200	WR-200	9/16-LH
	-	1.35	3.14	50	SpinTru	B40-20ER400-KB	\$100.39	20,000G2.5			-	-	-
4.12	-	1.35	4.00	74	Parlec	B40-20ER412-P	\$124.60	-	CN-200	WR-200	BS-09	B	
6.00	1.06	1.35	-	-	Sowa	B40-20ER600-GB	\$110.33	20000	-	-	-	C	
6.12	-	1.35	4.00	74 ft. lbs.	Parlec	B40-20ER612-P	\$137.90	-	CN-200	WR-200	BS-09	B	

C Proj.	L1	B Nut Dia.	D Socket Depth	Nut Tight. Torque (ft.lbs.)	Vendor	Part Number	Price Each	MAX RPM Balanced Up To	Collet Nut	Wrench	Stop Screw	Code
ER25 ER-25 Collet Series-.039 - 0.630 (1mm - 16mm)												
2.25	1.18	1.65	-	-	Sowa	B40-25ER225-GB	\$104.21	20000	CN-250	WR-250	-	C
	-	1.65	3.14	100	SpinTru	B40-25ER225-KB	\$104.21	20,000G2.5			-	-
4.00	-	1.65	3.00	-	Collis	B40-25ER400-C	\$144.80	-	CN-250	WR-250	64770	C
	1.18	1.65	-	-	Sowa	B40-25ER400-GB	\$104.21	20000			-	-
5.90	-	1.65	3.00	-	Domestic	B40-25ER590-A	\$187.85	-	CN-250	WR-250	5/8-LH	B
	-	1.65	-	-	USST	B40-25ER590-U	\$81.00	-			-	-
6.00	1.18	1.65	-	-	Sowa	B40-25ER600-GB	\$117.30	20000	-	-	-	C

Call Us Today For All Of Your Machine Tool Needs!

BT-40 COLLET CHUCKS

ER COLLET CHUCKS



ER COLLETS
are on pages
155-158

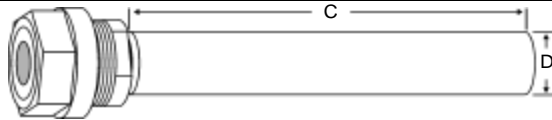
Balanced Toolholders Now Available!



C Proj.	L1	B Nut Dia.	D Socket Depth	Nut Tight. Torque (ft.lbs.)	Vendor	Part Number	Price Each	MAX RPM Balanced Up To	Collet Nut	Wrench	Stop Screw	Code
ER 32 ER-32 Collet Series-.040 - 0.810 (1mm - 20.6mm)												
3.00	-	1.97	3.00	-	Domestic	B40-32ER300-A	\$123.20	-	CN-320	WR-320	7/8-LH	B
3.13	-	1.97	2.83	125	SpinTru	B40-32ER313-KB	\$106.25	20,000G2.5	-	-	-	D
	1.34	1.97	-	-	Sowa	B40-32ER313-GB	\$106.25	20,000	-	-	-	C
4.00	-	1.97	3.36	-	Collis	B40-32ER400-C	\$149.04	-	CN-320	WR-320	64769	C
	-	1.97	-	-	USST	B40-32ER400-U	\$81.00	-			-	-
4.12	-	1.97	4.00	125	Parlec	B40-32ER412-P	\$131.60	-	CN-320	WR-320	BS-18	B
5.00	1.34	1.97	-	-	Sowa	B40-32ER500-GB	\$114.07	20,000	-	-	-	C
		1.97	3.93	125	SpinTru	B40-32ER500-KB	\$114.07	20,000G2.5	-	-	-	D
6.12	-	1.97	4.00	125 ft. lbs.	Parlec	B40-32ER612-P	\$146.30	-	CN-320	WR-320	BS-18	B
8.12	-	1.97	3.25	125 ft. lbs.	Parlec	B40-32ER812-P	\$224.00	-	CN-320	WR-320	BS-18	B

C Proj.	L1	B Nut Dia.	D Socket Depth	Nut Tight. Torque (ft.lbs.)	Vendor	Part Number	Price Each	MAX RPM Balanced Up To	Collet Nut	Wrench	Stop Screw	Code
ER 40 ER-40 Collet Series-.118 - 1.181 (3mm - 30mm)												
3.00	-	2.48	3.38	-	Collis	B40-40ER300-C	\$140.56	-	CN-400	WR-400	64760	C
3.13	-	2.48	3.62	160	SpinTru	B40-40ER313-KB	\$111.35	20,000G2.5	-	-	-	D
	1.50	2.48	-	-	Sowa	B40-40ER313-GB	\$111.35	20,000	-	-	-	C
3.15	-	2.48	3.00	-	Domestic	B40-40ER315-A	\$172.55	-	CN-400	WR-400	1-1/8-LH	B
3.94	-	2.48	-	-	USST	B40-40ER394-U	\$81.00	-	CN-400	WR-400	-	D
4.12	-	2.48	4.00	162 ft. lbs.	Parlec	B40-40ER412-P	\$139.30	-	CN-400	WR-400	BS-10	B
5.00	1.50	2.48	-	-	Sowa	B40-40ER500-GB	\$119.17	20,000	-	-	-	C
		2.48	3.93	160	SpinTru	B40-40ER500-KB	\$119.17	20,000G2.5	-	-	-	D

COLLET EXTENSIONS ER Straight Shank Holders



USST



ER Collet Extensions

ER Collet Series	C Shank Length	D Shank Diameter	Part Number	Price Each
ER8	3.74"	.500	ST-05-08ER3	75.00
		.500	ST-05-11ER6	61.00
		.625	ST-06-11ER6	69.00
ER16	2.50"	.750	ST-07-16ER2	60.00
		1.000	ST-10-16ER2	60.00
		1.000	ST-10-16ER4	65.00
	4.00"	.750	ST-07-16ER4	65.00
		1.000	ST-10-16ER4	65.00
		1.000	ST-10-16ER6	70.00
ER20	2.50"	.750	ST-07-20ER2	60.00
		1.000	ST-10-20ER2	60.00
		1.000	ST-10-20ER4	65.00
	4.00"	.750	ST-07-20ER4	65.00
		1.000	ST-10-20ER4	65.00
		1.000	ST-10-20ER6	70.00

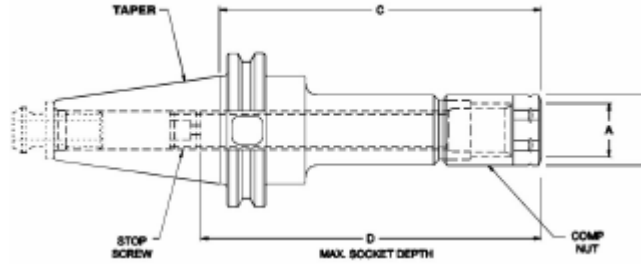
ER Collet Series	C Shank Length	D Shank Diameter	Part Number	Price Each
ER25	2.50"	.750	ST-07-25ER2	65.00
		1.000	ST-10-25ER2	65.00
	4.00"	.750	ST-07-25ER4	70.00
		1.000	ST-10-25ER4	70.00
	6.00"	.750	ST-07-25ER6	75.00
		1.000	ST-10-25ER6	75.00
ER32	2.50"	1.000	ST-10-32ER2	70.00
		1.250	ST-12-32ER2	70.00
	4.00"	1.000	ST-10-32ER4	75.00
		1.250	ST-12-32ER4	75.00
	6.00"	1.000	ST-10-32ER6	80.00
		1.250	ST-12-32ER6	80.00
ER40	2.50"	1.000	ST-10-40ER2	80.00
		1.250	ST-12-40ER2	80.00
	4.00"	1.000	ST-10-40ER4	85.00
		1.250	ST-12-40ER4	85.00
	6.00"	1.000	ST-10-40ER6	90.00
		1.250	ST-12-40ER6	90.00

ER COLLETS
are on pages
155-158

Call Us Or Visit Our Website For Our Complete Selection!

BT-40 TOOL HOLDERS

DA COLLET CHUCKS



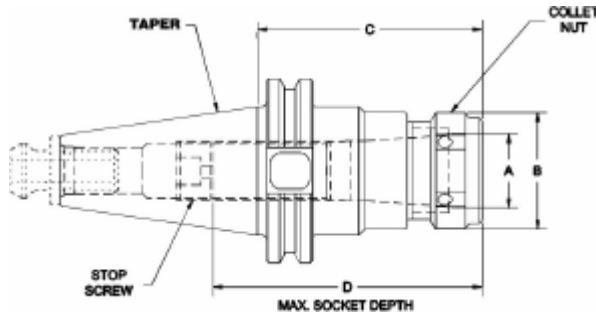
C Proj.	B Nut Dia.	D Socket Depth	Nut Tight. Torque (ft.lbs.)	Vendor	Part Number	Price Each	MAX RPM Balanced Up To	Collet Nut	Wrench	Stop Screw	Code
DA100 DA100 Collet Series-.062 - 0.562 (1.587mm - 14.287mm)											
3.00	1.39	3.00	-	Domestic	B40-10DA300-A	\$119.00	-	CN-100	WR-100	9/16-LH	B
3.50	1.39	-	-	Collis	B40-10DA350-C	\$126.08	-			64768	C

DA180 DA180 Collet Series-.031 - 0.750 (.800mm - 19mm)											
2.95	1.69	-	-	Collis	B40-18DA295-C	\$126.08	-	CN-180	WR-180	64764	C
3.00	1.70	2.75	-	Domestic	B40-18DA300-A	\$98.00	-	CN-180	WR-180	13/16-LH	B
	1.44	3.25	40	Parlec	B40-18DA300-P	\$106.40	-	CN-180-P	WR-180-P	BS-18	B

DA200 DA200 Collet Series-.031 - 0.375 (.080mm - 9.5mm)											
2.75	1.10	2.25	30	Parlec	B40-20DA275-P	\$106.40	-	CN-205	WR-205	BS-20	B
3.00	1.13	3.00	-	Domestic	B40-20DA300-A	\$119.00	-			7/16-LH	B
	1.13	-	-	Collis	B40-20DA300-C	\$126.08	-			64920	C

DA300 DA300 Collet Series-.031 - 0.250 (.800mm - 6.40mm)											
3.00	0.62	2.75	25	Parlec	B40-30DA300-P	\$106.40	-	CN-300-P	WR-300-P	029-909	B

TG COLLET CHUCKS



C Proj.	B Nut Dia.	D Socket Depth	Nut Tight. Torque (ft.lbs.)	Vendor	Part Number	Price Each	MAX RPM Balanced Up To	Collet Nut	Wrench	Stop Screw	Code
TG75 TG75 Collet Series-3/64 - 3/4 (1.2mm - 19.1mm)											
2.75	2.18	3.31	-	Domestic	B40-75TG275-A	\$126.65	-	CN-750	WR-750	13/16-LH	B
	2.10	3.00	60	Parlec	B40-75TG275-P	\$99.40	-	CN-750	WR-750	BS-18	B

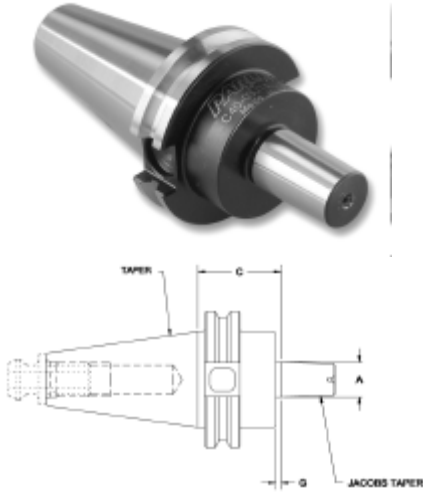
TG100 TG100 Collet Series-5/64 - 1" (2mm - 25.4mm)											
3.00	2.44	3.68	-	Domestic	B40-10TG300-A	\$98.00	-	CN-108	WR-108	1-1/8-LH	B
	2.44	3.40	60	Parlec	B40-10TG300-P	\$91.70	-	CN-108	WR-108	BS-08	B
	2.43	-	-	USST	B40-10TG300-U	\$80.00	-	CN-108	WR-108	-	D
3.50	2.44	-	-	Collis	B40-10TG350-C	\$110.72	-	CN-108	WR-108	64760	C
	-	-	-	Sowa	B40-10TG350-GB	\$79.90	20,000	-	-	-	C
5.00	2.44	5.00	60	Parlec	B40-10TG500-P	\$109.20	-	CN-108	WR-108	BS-10	B
	2.44	5.68	-	Domestic	B40-10TG500-A	\$142.80	-	CN-108	WR-108	1-1/8-LH	B
5.50	-	-	-	Sowa	B40-10TG550-GB	\$103.79	20,000	-	-	-	C
6.50	2.44	5.50	60 ft. lbs.	Parlec	B40-10TG650-P	\$111.30	-	CN-108	WR-108	BS-10	B

TG150 TG150 Collet Series-23/64 - 1-1/2" (9.1mm - 38.1mm)											
5.50	-	-	-	Sowa	B40-15TG550-GB	\$118.24	20,000	-	-	-	C

Call Us Today For All Of Your Machine Tool Needs!

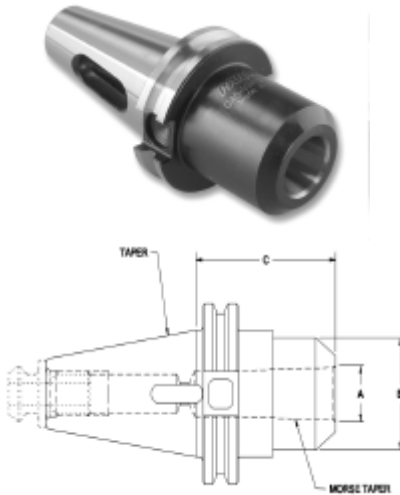
BT TAPER TOOL HOLDERS

JACOBS TAPER HOLDERS



Jacobs Taper	C Proj.	A Dia.	G	Taper Length	Vendor	Part Number	Price Each	Code
2	1.000	0.559	-	0.875	DOMESTIC	B40-02JT100-A	\$77.00	B
	1.180	0.559	0.12	-	PARLEC	B40-02JT118-P	\$79.80	B
	1.770	-	-	-	COLLIS	B40-02JT177-C	\$76.00	C
3	1.000	0.811	-	1.21	DOMESTIC	B40-03JT100-A	\$74.20	B
	1.180	0.811	0.12	-	PARLEC	B40-03JT118-P	\$76.30	B
	1.770	-	-	-	COLLIS	B40-03JT177-C	\$76.00	C
4	1.000	1.120	-	1.65	DOMESTIC	B40-04JT100-A	\$77.00	B
	1.180	1.124	0.12	-	PARLEC	B40-04JT118-P	\$79.80	B
6	1.000	0.676	-	1	DOMESTIC	B40-06JT100-A	\$77.00	B
	1.180	0.676	0.12	-	PARLEC	B40-06JT118-P	\$79.80	B
	1.770	-	-	-	COLLIS	B40-06JT177-C	\$76.00	C
33	1.000	0.624	-	1	DOMESTIC	B40-33JT100-A	\$74.20	B
	1.180	0.624	0.12	-	PARLEC	B40-33JT118-P	\$76.30	B
	1.770	-	-	-	COLLIS	B40-33JT177-C	\$76.00	C

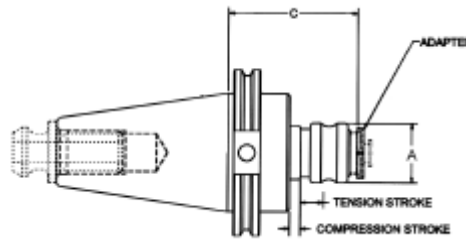
MORSE TAPER HOLDERS



Morse Taper	C Proj.	A Dia.	B Face Dia.	Vendor	Part Number	Price Each	Code
1	1.75	0.475	1.75	PARLEC	B40-01MT175-P	\$86.10	B
2	1.77	-	1.27	COLLIS	B40-02MT177-C	\$75.20	C
	1.75	0.700	1.75	PARLEC	B40-02MT175-P	\$81.20	B
3	2.95	-	1.58	COLLIS	B40-03MT295-C	\$75.20	C
	2.50	0.938	1.75	PARLEC	B40-03MT250-P	\$81.90	B
4	3.74	-	1.97	COLLIS	B40-04MT374-C	\$75.20	C
	2.00	1.231	3.75	DOMESTIC	B40-04MT200-A	\$91.70	B
	3.50	1.231	2.00	PARLEC	B40-04MT350-P	\$86.10	B

TAP HOLDERS

Tension / Compression and Synchronous Tapping. For use with Bilz Style Adapters

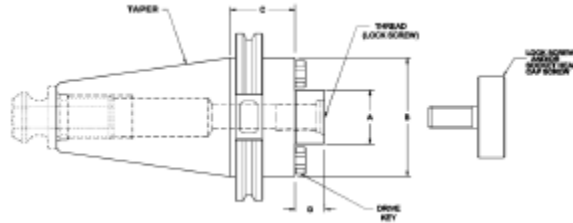


C Proj.	Comp.	Tension	Adapter Size	Capacity	A Dia.	Vendor	Part Number	Price Each	Coolant Hole	Code
2.657	0.295	0.295	1	#0 - 9/16" Hand, 1/16" & 1/8" NPT	1.417	USST	B40-10TA265-U	\$200.00	-	D
2.834	Rigid	Rigid			1.250	USST	B40-10FS283-U	\$162.50	-	D
3.830	Rigid	Rigid			1.390	PARLEC	B40-10TR383-P	\$199.75	B40-10TR3C	B
4.080	0.250	0.560			1.390	PARLEC	B40-10TA408-P	\$229.50	B40-10TA3C	B
3.050	0.250	0.560	2	5/16" - 7/8" Hand, 1/4" & 1/2" NPT	2.180	PARLEC	B40-20TA305-P	\$272.70	B40-20TA4C	B
3.050	Rigid	Rigid			2.180	PARLEC	B40-20TR305-P	\$239.70	B40-20TR4C	B
3.582	Rigid	Rigid	2	5/16" - 7/8" Hand, 1/4", 3/8" & 1/2" NPT	1.968	USST	B40-20FS358-U	\$175.00	-	D
3.720	0.492	0.492			2.087	USST	B40-20TA372-U	\$262.50	-	D
4.331	Rigid	Rigid	3	13/16" - 1 3/8" Hand, 3/4" - 1" NPT	2.834	USST	B40-30FS433-U	\$225.00	-	D
6.450	0.787	0.787			3.070	USST	B40-30TA645-U	\$375.00	-	D
6.600	0.885	0.885			3.780	USST	B40-40TA660-U	\$830.00	-	D

Call Us Or Visit Our Website For Our Complete Selection!

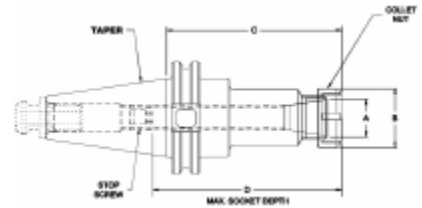
BT-40/45 TOOL HOLDERS

SHELL MILL HOLDERS



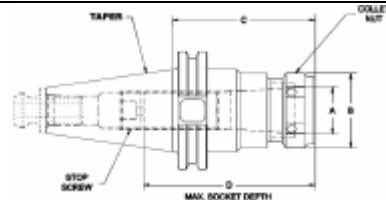
A Pilot Dia	B Dia	C Proj.	G	Shell Mill Dia	Vendor	Part Number	Price Each	Drive Key	Lock Screw	Thread	Arbor Screw	Code
3/4" 0.750	1.75	1.375	0.68	-	DOMESTIC	B40-75SM175-A	\$111.35	BDK-312	B5002	3/8" - 24	-	B
	1.73	1.750	-	-	COLLIS	B40-75SM173-C	\$96.80	64751	-	-	64831	C
	1.75	1.750	0.68	-	USST	B40-75SM175-U	\$80.00	75KY	75LS	3/8" - 24	-	D
1" 1.000	2.19	1.750	-	-	COLLIS	B40-10SM219-C	\$96.80	64752	-	-	64832	C
	2.25	2.000	0.68	-	USST	B40-10SM225-U	\$80.00	10KY	10LS	1/2" - 20	-	D
	2.25	2.000	0.68	-	PARLEC	B40-10SM225-P	\$93.80	10KY	10LS	1/2" - 20	028-188	B
	2.19	2.060	0.68	-	DOMESTIC	B40-10SM219-A	\$91.00	BDK-375	B5003	1/2" - 20	-	B
1 1/4" 1.250	2.75	2.000	-	-	COLLIS	B40-12SM275-C	\$96.80	64753	-	-	64833	C
	2.88	2.120	0.68	-	DOMESTIC	B40-12SM288-A	\$98.70	BDK-500	B5004	5/8" - 18	-	B
	2.50	2.250	0.68	-	USST	B40-12SM250-U	\$80.00	12KY	12LS	5/8" - 18	-	D
1 1/2" 1.500	2.75	2.250	0.68	-	PARLEC	B40-12SM275-P	\$102.20	12KY	12LS	5/8" - 18	028-193	B
	3.62	2.120	-	-	COLLIS	B40-15SM362-C	\$114.40	64754	-	-	64834	C
	??	2.250	0.68	-	USST	B40-15SM2-U	\$80.00	15KY	15LS	3/4" - 16	-	D
	3.75	2.250	0.94	-	PARLEC	B40-15SM375-P	\$108.50	15KY	15LS	3/4" - 16	-	B
3.81	2.400	0.94	-	DOMESTIC	B40-15SM381-A	\$105.00	BDK-625	B5005	3/4" - 16	-	B	

BT-45 ER COLLET CHUCKS



C Proj.	B Nut Dia.	D Socket Depth	Nut Tight. Torque (ft.lbs.)	Vendor	Part Number	Price Each	MAXRPM Balanced Up To	Collet Nut	Wrench	Stop Screw	Code
ER16	ER-16 Collet Series-.020 - 0.393 (0.5mm - 10mm)										
4.00	1.08	2.36	-	Collis	B45-16ER400-C	\$159.28	-	CN-160 / CN-161(split ring)	WR-160	64766	C
ER20	ER-20 Collet Series-.020 - 0.500 (0.5mm - 12.7mm)										
4.00	1.25	2.31	-	Collis	B45-20ER400-C	\$159.28	-	CN-200	WR-200	64768	C
ER25	ER-25 Collet Series-.039 - 0.630 (1mm - 16mm)										
4.00	1.65	3.00	-	Collis	B45-25ER400-C	\$159.28	-	CN-250	WR-250	64770	C
ER32	ER-32 Collet Series-.040 - 0.810 (1mm - 20.6mm)										
4.00	1.97	3.32	-	Collis	B45-32ER400-C	\$167.84	-	CN-320	WR-320	64769	C
ER40	ER-40 Collet Series-.118 - 1.181 (3mm - 30mm)										
4.00	2.48	3.10	-	Collis	B45-40ER400-C	\$167.84	-	CN-400	WR-400	64760	C

BT-45 TG COLLET CHUCKS



C Proj.	B Nut Dia.	D Socket Depth	Nut Tight. Torque (ft.lbs.)	Vendor	Part Number	Price Each	MAXRPM Balanced Up To	Collet Nut	Wrench	Stop Screw	Code
TG100	TG100 Collet Series-5/64 - 1" (2mm - 25.4mm)										
3.50	2.44	-	-	Collis	B45-10TG350-C	\$127.76	-	CN-108	WR-108	64760	C
TG150	TG150 Collet Series-23/64 - 1-1/2" (9.1mm - 38.1mm)										
4.00	3.25	-	-	Collis	B45-15TG400-C	\$170.40	-	CN-158	WR-158	64761	C

Call Us Today For All Of Your Machine Tool Needs!