

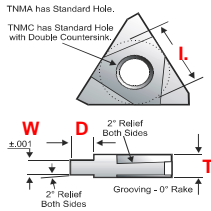
# VALENITE STYLE-GROOVING/ THREADING INSERTS

B



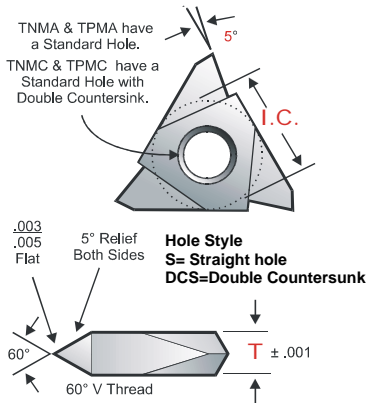
## ON EDGE GROOVING INSERTS

**INSERT QUANTITY DISCOUNTS!**  
 10-29 pcs-10% OFF  
 30+ pcs- 15% OFF  
 (of same part number)



I.C.	T	D	W	Industry Number (for reference only)	Standard Hole			Double Countersunk Hole							
					Uncoated (C3)	Price Each	Coated GP-50 grade (C5)	Price Each	Industry Number (for reference only)	Uncoated grade (C3)	Price Each	Coated GP-50 (C5) Part Number	Price Each		
3/8	1/8	.120	.062	TNMA-32-NGL.062	-	-	TNMC-32-NGL.062	GV-651	\$10.94	\$12.14	\$10.94	GV-751	\$12.14		
				TNMA-32-NGR-.062	-	GV-702	TNMC-32-NGR-.062	GV-652				GV-752			
		.150	.094	TNMA-32-NGL.094	-	-	TNMC-32-NGL.094	GV-653				GV-753			
				TNMA-32-NGR-.094	GV-604	GV-704	TNMC-32-NGR-.094	GV-654				GV-754			
				TNMA-32-NGC.125	GV-605	GV-705	TNMC-32-NGC.125	GV-655				GV-755			
1/2	3/16	.120	.062	TNMA-43-NGL.062	GV-606	GV-706	TNMC-43-NGL.062	GV-656	\$12.85	\$14.32	\$12.85	GV-756	\$14.32		
				TNMA-43-NGR-.062	GV-607	GV-707	TNMC-43-NGR-.062	GV-657				GV-757			
		.170	.094	TNMA-43-NGL.094	GV-608	GV-708	TNMC-43-NGR-.062	GV-657				GV-757			
				TNMA-43-NGR-.094	GV-609	GV-709	TNMC-43-NGR-.094	GV-658				GV-758			
				TNMA-43-NGL.125	GV-610	GV-710	TNMC-43-NGL.125	GV-659				GV-759			
		.220	.125	TNMA-43-NGR-.125	GV-611	GV-711	TNMC-43-NGR-.125	GV-660				GV-760			
				TNMA-43-NGC-.125	GV-612	GV-712	TNMC-43-NGC-.125	GV-661				GV-761			
				-	-	-	TNMC-43-NGC-.125	-				-			
				-	-	-	TNMC-43-NGR-.156	GV-663				GV-763			
		.240	.156	TNMA-43-NGL-.156	-	-	TNMC-43-NGL-.156	GV-664				GV-764			
				TNMA-43-NGR-.156	-	-	TNMC-43-NGR-.156	GV-664				GV-764			
				.188	.188	TNMA-43-NGC-.188	GV-615	GV-715				TNMC-43-NGC-.188		GV-665	GV-765

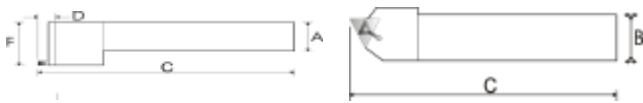
## 60° V ON EDGE THREADING INSERTS



TPI	IC	T	R	Hole Style	Rake	Industry Number	Uncoated (C3)	Price Each	Coated GP-50 (C5)	Price Each
8-36	3/8	.127	.003/.005	S	NEG	TNMA-32NV	VT-601	\$10.20	VT-701	\$11.44
5-24	1/2	.189	.003/.005	S	NEG	TNMA-43NV	VT-602	\$11.82	VT-702	\$13.28
4-20	5/8	.252	.008/.010	S	NEG	TNMA-54NV	VT-603	\$15.31	VT-703	\$17.34
8-36	3/8	.127	.003/.005	S	POS	TPMA-32NV	VT-604	\$11.65	VT-704	\$12.84
5-24	1/2	.189	.003/.005	S	POS	TPMA-43NV	VT-605	\$13.63	VT-705	\$15.09
4-20	5/8	.252	.008/.010	S	POS	TPMA-54NV	VT-606	\$17.49	VT-706	\$19.46
8-36	3/8	.127	.003/.005	DCS	NEG	TNMC-32NV	VT-607	\$10.20	VT-707	\$11.18
5-24	1/2	.189	.003/.005	DCS	NEG	TNMC-43NV	VT-608	\$11.92	VT-708	\$13.28
4-20	5/8	.252	.008/.010	DCS	NEG	TNMC-54NV	VT-609	\$15.31	VT-709	\$17.34
8-36	3/8	.127	.003/.005	DCS	POS	TPMC-32NV	VT-610	\$11.65	VT-710	\$12.84
5-24	1/2	.189	.003/.005	DCS	POS	TPMC-43NV	VT-611	\$13.63	VT-711	\$15.09
4-20	5/8	.252	.008/.010	DCS	POS	TPMC-54NV	VT-612	\$17.49	VT-712	\$19.46

## HOLDERS FOR EXTERNAL GROOVING & THREADING

From either of the two insert tables above match the IC of the insert to the holders in the table below to get matched Inserts and Holders for your needs.



Holder Part Number	Left or Right	Insert IC used	A	B	C	D	E	F	Price Each
T-MTVOR123	R	3/8	3/4	3/4	4-1/2	.15	1.08	1.00	\$66.42
T-MTVOL123	L	3/8	3/4	3/4	4-1/2	.15	1.08	1.00	\$75.96
T-MTVOR163	R	3/8	1	1	6	.15	1.08	1.25	\$66.42
T-MTVOL163	L	3/8	1	1	6	.15	1.08	1.25	\$75.96
T-MTVOR124	R	1/2	3/4	3/4	4-1/2	.23	1.23	1.00	\$66.42
T-MTVOL124	L	1/2	3/4	3/4	4-1/2	.23	1.23	1.00	\$75.96
T-MTVOR164	R	1/2	1	1	6	.23	1.23	1.25	\$66.42
T-MTVOL164	L	1/2	1	1	6	.23	1.23	1.25	\$75.96
T-MTVOR204	R	1/2	1-1/4	1-1/4	7	.23	1.23	1.5	\$77.02
T-MTVOR165	R	5/8	1	1	6	.29	1.43	1.25	\$66.42
T-MTVOL165	L	5/8	1	1	6	.29	1.43	1.25	\$75.96
T-MTVOR205	R	5/8	1-1/4	1-1/4	7	.29	1.43	1.5	\$77.02

## BARNS FOR INTERNAL GROOVING & THREADING

From either of the two insert tables above match the IC of the insert to the holders in the table below to get matched Inserts and Holders for your needs.



Bar Part Number	Left or Right	Insert IC used	Min Bore	D	L	F	V	Price Each
T-SIMTHOR163	R	3/8	1.383	1.000	14	.687	.120	\$191.26
T-SIMTHOL163	L	3/8	1.383	1.000	14	.687	.120	\$199.74
T-SIMTHOR204	R	1/2	1.815	1.25	14	.875	.190	\$236.84
T-SIMTHOL204	L	1/2	1.815	1.25	14	.875	.190	\$245.32
T-SIMTHOR244	R	1/2	1.892	1.50	14	1.000	.190	\$240.02
T-SIMTHOL244	L	1/2	1.892	1.50	14	1.000	.190	\$248.50
T-SIMTHOR245	R	5/8	2.125	1.500	14	1.073	.220	\$240.02
T-SIMTHOL245	L	5/8	2.125	1.500	14	1.073	.220	\$248.50
T-SIMTHOR325	R	5/8	2.75	2.000	14	1.323	.320	\$289.84

Valenite is a registered trademark of Valenite Inc.

Call Us Today For All Of Your Machine Tool Needs!