

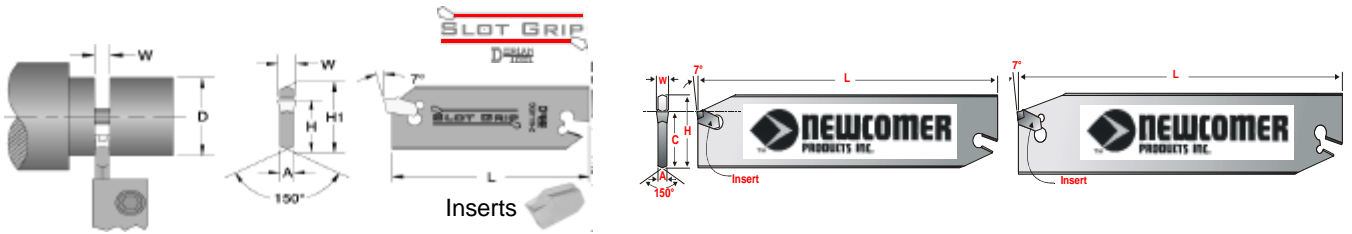
PART-OFF INSERTS & BLADES

B



CUT-OFF BLADES

Dorian and Newcomer Blades and Inserts are completely interchangeable with Iscar. GTN. NS is the original Iscar design of blades, PS is the newer design of blades - inserts are also interchangeable.



Industry Standard Number	Dorian			Newcomer			Neutral Stop Blade Part Number	Max Work Dia	Price each	Insert Reference Number	W Inches	W mm	A	L	H	H1
	Positive Stop Blade Part Number	Max work Dia	Price each	Positive Stop Blade Part Number	Max Work Dia	Price each										
_GIH19-2	DN62950	1.57"	\$56.80	NGIH-19-2-PS	1.5	\$47.63	NGIH-19-2-NS	1-1/2"	\$34.97	_GT(N/R/L)-2	0.087	2	0.063	3.38	0.618	0.75
_GIH26-2	DN62951	2.0"	\$67.65	NGIH-26-2-PS	3"	\$47.63	NGIH-26-2-NS	2"	\$40.07	_GT(N/R/L)-2	0.087	2	0.063	4.33	0.842	1.02
_GIH26-3	DN62952	3.0"	\$67.65	NGIH-26-3-PS	3"	\$47.63	NGIH-26-3-NS	3"	\$40.07	_GT(N/R/L)-3	0.122	3	0.094	4.33	0.842	1.02
_GIH26-4	DN62953	3.15"	\$67.65	NGIH-26-4-PS	3"	\$49.58	NGIH-26-4-NS	3"	\$42.02	_GT(N/R/L)-4	0.161	4	0.125	4.33	0.842	1.02
_GIH26-5	DN62954	3.15"	\$67.65	NGIH-26-5-PS	3"	\$53.46	NGIH-26-5-NS	4"	\$45.19	_GT(N/R/L)-5	0.201	5	0.156	4.33	0.842	1.02
_GIH26-6	DN62955	3.15"	\$67.65	NGIH-26-6-PS	3"	\$55.40	NGIH-26-6-NS	4"	\$45.19	_GT(N/R/L)-6	0.252	6	0.203	4.33	0.842	1.02
_GIH32-3	DN62956	3.94"	\$78.25	NGIH-32-3-PS	4"	\$49.58	NGIH-32-3-NS	4"	\$41.97	_GT(N/R/L)-3	0.122	3	0.094	5.9	0.984	1.25
_GIH32-4	DN62957	3.94"	\$78.25	NGIH-32-4-PS	4"	\$51.52	NGIH-32-4-NS	4"	\$42.97	_GT(N/R/L)-4	0.161	4	0.125	5.9	0.984	1.25
_GIH32-5	DN62958	4.71"	\$78.25	NGIH-32-5-PS	5"	\$55.40	NGIH-32-5-NS	5"	\$47.96	_GT(N/R/L)-5	0.201	5	0.156	5.9	0.984	1.25
_GIH32-6	DN62959	4.72"	\$78.25	NGIH-32-6-PS	5"	\$57.35	NGIH-32-6-NS	5"	\$49.02	_GT(N/R/L)-6	0.252	6	0.203	5.9	0.984	1.25
_GIH32-8	DN62960	5.51"	\$115.95	-	-	-	-	-	-	_GT(N/R/L)-8	0.315	8	0.268	5.9	0.984	1.25
_GIH32-9	DN62961	5.51"	\$115.95	NGIH-32-9-PS	5"	\$77.71	NGIH-32-9-NS	6"	\$68.00	_GT(N/R/L)-9	0.378	9	0.312	5.9	0.984	1.25

CUT-OFF INSERTS

Insert Ref#	Insert Size	W width ±.004"	W width mm.	L Lead Angle	Newcomer Inserts						Dorian Tools Inserts					
					UnCoated C2	Price each	Uncoated C5	Price each	Coated C5	Price each	Uncoated C2	Price each	Uncoated C5	Price each	Coated C5-C6	Price each
_GTN-2	2	0.087	2mm	0°	CI-201	\$4.86	CI-301	\$5.35	CI-401	\$6.94	DN82220	\$4.80	DN82221	\$4.80	DN82222	\$6.06
_GTR-2-8	2	0.087	2mm	8°	CI-204	\$5.60	CI-304	\$6.17	CI-404	\$7.64	DN82248	\$4.80	DN82249	\$4.80	DN82250	\$6.06
_GTL-2-8	2	0.087	2mm	8°	CI-205	\$5.60	CI-305	\$6.17	CI-405	\$7.64	DN82276	\$4.80	DN82277	\$4.80	DN82278	\$6.06
_GTN-2.4	2	0.093	2mm	0°	CI-208	\$4.86	CI-308	\$5.35	CI-408	\$6.94	-	-	-	-	-	-
_GTR-2.4-8	2	0.093	2mm	8°	CI-211	\$5.60	CI-311	\$6.17	CI-411	\$7.64	-	-	-	-	-	-
_GTL-2.4-8	2	0.093	2mm	8°	CI-212	\$5.60	CI-312	\$6.17	CI-412	\$7.64	-	-	-	-	-	-
_GTN-3	3	0.12	3mm	0°	CI-215	\$4.86	CI-315	\$5.35	CI-415	\$6.94	DN82224	\$4.80	DN82225	\$4.80	DN82226	\$6.06
_GTR-3-8	3	0.12	3mm	8°	CI-218	\$5.60	CI-318	\$6.17	CI-418	\$7.64	DN82252	\$4.80	DN82253	\$4.80	DN82254	\$6.06
_GTL-3-8	3	0.12	3mm	8°	CI-219	\$5.60	CI-319	\$6.17	CI-419	\$7.64	DN82280	\$4.80	DN82281	\$4.80	DN82282	\$6.06
_GTN-4	4	0.16	4mm	0°	CI-222	\$5.81	CI-322	\$6.41	CI-422	\$7.87	DN82228	\$5.29	DN82229	\$5.29	DN82230	\$6.76
_GTR-4-8	4	0.16	4mm	8°	CI-225	\$6.51	CI-325	\$7.17	CI-425	\$8.74	DN82256	\$5.29	DN82257	\$5.29	DN82258	\$6.76
_GTL-4-8	4	0.16	4mm	8°	CI-226	\$6.51	CI-326	\$7.17	CI-426	\$8.74	DN82284	\$5.29	DN82285	\$5.29	DN82286	\$6.76
_GTN-4.8	4	0.187	4mm	0°	CI-229	\$6.47	CI-329	\$7.13	CI-429	\$8.34	-	-	-	-	-	-
_GTR-4.8-8	4	0.187	4mm	8°	CI-232	\$7.11	CI-332	\$7.83	CI-432	\$9.08	-	-	-	-	-	-
_GTL-4.8-8	4	0.187	4mm	8°	CI-233	\$7.11	CI-333	\$7.83	CI-433	\$9.08	-	-	-	-	-	-
_GTN-5	5	0.2	5mm	0°	CI-238	\$6.47	CI-338	\$7.13	CI-438	\$8.34	DN82232	\$5.78	DN82233	\$5.78	DN82234	\$7.63
_GTR-5-8	5	0.2	5mm	8°	CI-239	\$7.11	CI-339	\$7.83	CI-439	\$9.08	DN82260	\$5.78	DN82261	\$5.78	DN82262	\$7.63
_GTL-5-8	5	0.2	5mm	8°	CI-240	\$7.11	CI-340	\$7.83	CI-440	\$9.08	DN82288	\$5.78	DN82289	\$5.78	DN82290	\$7.63
_GTN-6	6	0.25	6mm	0°	CI-243	\$7.42	CI-343	\$8.17	CI-443	\$9.61	DN82236	\$6.37	DN82237	\$6.37	DN82238	\$7.91
_GTR-6-8	6	0.25	6mm	8°	CI-246	\$8.10	CI-346	\$8.93	CI-446	\$10.35	DN82264	\$6.37	DN82265	\$6.37	DN82266	\$7.91
_GTL-6-8	6	0.25	6mm	8°	CI-247	\$8.10	CI-347	\$8.93	CI-447	\$10.35	DN82292	\$6.37	DN82293	\$6.37	DN82294	\$7.91
_GTN-8	8	0.315	8mm	0°	CI-250	\$10.60	CI-350	\$11.66	CI-450	\$13.47	DN82240	\$10.01	DN82241	\$10.01	DN82242	\$12.67
_GTR-8-4	8	0.315	8mm	4°	CI-251	\$11.33	CI-351	\$12.47	CI-451	\$14.23	DN82268	\$10.01	DN82269	\$10.01	DN82270	\$12.67
_GTL-8-4	8	0.315	8mm	4°	CI-252	\$11.33	CI-352	\$12.47	CI-452	\$14.23	DN82296	\$10.01	DN82297	\$10.01	DN82298	\$12.67
_GTN-9	9	0.375	9mm	0°	CI-257	\$13.85	CI-357	\$15.25	CI-457	\$17.33	DN82244	\$11.38	DN82245	\$11.38	DN82246	\$13.13
_GTR-9-4	9	0.375	9mm	4°	CI-258	\$14.57	CI-358	\$16.03	CI-458	\$18.11	DN82272	\$11.38	DN82273	\$11.38	DN82274	\$13.13
_GTL-9-4	9	0.375	9mm	4°	CI-259	\$14.57	CI-359	\$16.03	CI-459	\$18.11	DN82300	\$11.38	DN82301	\$11.38	DN82302	\$13.13

Call Us Today For All Of Your Machine Tool Needs!

TOOL BLOCKS FOR PART-OFF BLADES

B

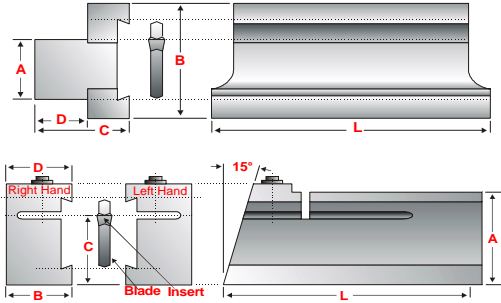


TOOL BLOCKS

NCTBN

A	B	C	D	L	Use Blade	Part Number	Price Each
5/8"	1-3/16"	1-1/64"	5/8"	3-7/16"	_GIH 19-2	NGTBN-16-2	75.77
5/8"	1-1/2"	1-5/16"	5/8"	3-7/16"	_GIH 26-2,3,4,5,6	NGTBN-16-5	77.71
3/4"	1-1/2"	1-7/16"	3/4"	3-7/16"	_GIH 26-2,3,4,5,6	NGTBN-19-5	79.60
1"	1-7/8"	1-15/32"	25/32"	4-5/16"	_GIH 32-3,4,5,6	NGTBN-25-6	83.54
1-1/4"	1-7/8"	1-13/16"	1-1/8"	4-5/16"	_GIH 32-3,4,5,6,R/L-9	NGTBN-32-6	86.49
1-1/2"	1-7/8"	2-27/64"	1-5/8"	4-5/16"	_GIH 32-9	NGTBN-38-6	132.11

Toolblocks are compatible with Newcomer or Dorian Blades



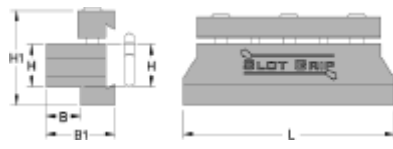
A	B	C	D	L	Use Blade	Right or Left	Part Number	Price Each
1"	3/4"	3/4"	43/64"	3-7/16"	_GIH 19-2	Right Left	NGTBR-19-2 NGTBL-19-2	52.85 44.98
1-1/4"	25/32"	1"	19/32"	4-3/4"	_GIH 26-2,3,4,5,6	Right Left	NGTBR-25-6 NGTBL-25-6	62.78 62.78

TOOL BLOCKS



Description	H	H1	B	B1	L	Part Number	Price	Blade Used	Screw Used
INCH									
SGTBN12,7-2	0.5	1.375	0.5	1	3	DN62970	\$123.75	_GIH19-2	A40467 10-24 x 1.0
SGTBN16-2	0.625	1.375	0.625	1	3	DN62971	\$123.75	_GIH26-2	A40468 1/4-20 x 1-1/4
SGTBN16-5	0.625	1.75	0.625	1.25	3.5	DN62972	\$123.75	Thru SGIH26-6	A40468 1/4-20 x 1-1/4
SGTBN19-5	0.75	2	0.75	1.375	3.5	DN62973	\$130.40	Thru SGIH26-6	A40468 1/4-20 x 1-1/4
SGTBN19-6	0.75	2	0.75	1.375	4.5	DN62974	\$130.40	_GIH32-3	A40469 1/4-20 x 1-1/2
SGTBN25,4-6	1	2.125	0.875	1.5	4.5	DN62975	\$134.35	Thru SGIH32-9	A40469 1/4-20 x 1-1/2
SGTBN31,8-6	1.25	2.375	1.125	1.75	4.5	DN62976	\$138.00	Thru SGIH32-9	A40469 1/4-20 x 1-1/2
SGTBN38,1-6	1.5	2.875	1.625	2.25	4.5	DN62977	\$185.10	Thru SGIH32-9	A40469 1/4-20 x 1-1/2
METRIC									
SGTBN12-2	12,0	34,9	12,7	25,4	76,20	DN62978	\$123.75	_GIH32-3	A40469 1/4-20 x 1-1/2
SGTBN16-2	16,0	34,9	15,9	25,4	76,20	DN62971	\$123.75	Thru SGIH32-9	A40469 1/4-20 x 1-1/2
SGTBN16-5	16,0	44,5	15,9	31,8	88,90	DN62972	\$123.75	_GIH26-2	A40468 1/4-20 x 1-1/4
SGTBN20-5	20,0	50,8	19,1	34,9	88,90	DN62979	\$130.40	Thru SGIH26-6	A40468 1/4-20 x 1-1/4
SGTBN20-6	20,0	50,8	19,1	34,9	114,3	DN62980	\$130.40	_GIH32-3	A40469 1/4-20 x 1-1/2
SGTBN25-6	25,0	54,0	22,2	38,1	114,3	DN62981	\$134.35	Thru SGIH32-9	A40469 1/4-20 x 1-1/2
SGTBN32-6	32,0	60,3	28,6	44,5	114,3	DN62982	\$138.00	Thru SGIH32-9	A40469 1/4-20 x 1-1/2
SGTBN40-6	40,0	73,0	41,3	57,2	114,3	DN62983	\$185.10	Thru SGIH32-9	A40469 1/4-20 x 1-1/2

Toolblocks are compatible with Newcomer or Dorian Blades



CUT-OFF & GROOVING TOOL BLOCK

For use with Newcomer, Dorian, Iscar, Toshiba and other partoff blades

BEST VALUE



Nom. Height	Width (mm)	Cutting & Mounting Height	Overall Height	OAL	Part Number	Price
19	5	3/4"	1-1/2"	3-7/16"	UGTBN-19-5	\$48.00
25	6	1"	1-7/8"	4-5/16"	UGTBN-25-6	\$62.00

POSITIVE STOP BLADE SET

Cut-Off and Grooving

Sets Includes Blade & 10 Inserts!

Description	Part Number	Price Per Set
SGIH26-3S Set Contains: 10 SGTN-3TIN Inserts 1 SGIH26-3 Blade	DN85360	\$154.15
SGIH32-3S Set Contains: 10 SGTN-3TIN Inserts 1 SGIH32-3 Blade	DN85364	\$164.75



NEUTRAL TOOLHOLDER SET

Cut-Off and Grooving

Sets Includes Blade, Block & 10 Inserts!



Description	Part Number	Price Per Set
SGTBN19-5S Set Contains: 10 SGTN-3TIN Inserts 1 SGIH26-3 Blade, 1 SGTBN 19-5 Block	DN85326	\$284.55
SGTBN25,4-6S Set Contains: 10 SGTN-3TIN Inserts 1 SGIH32-3 Blade, 1 SGTBN 25,4-6 Block	DN85330	\$299.10



Call Us Or Visit Our Website For Our Complete Selection!